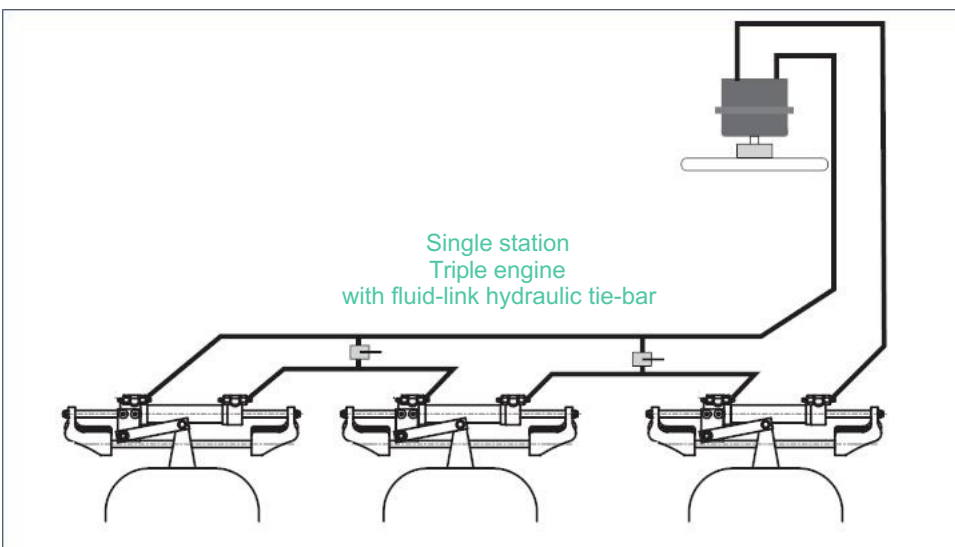
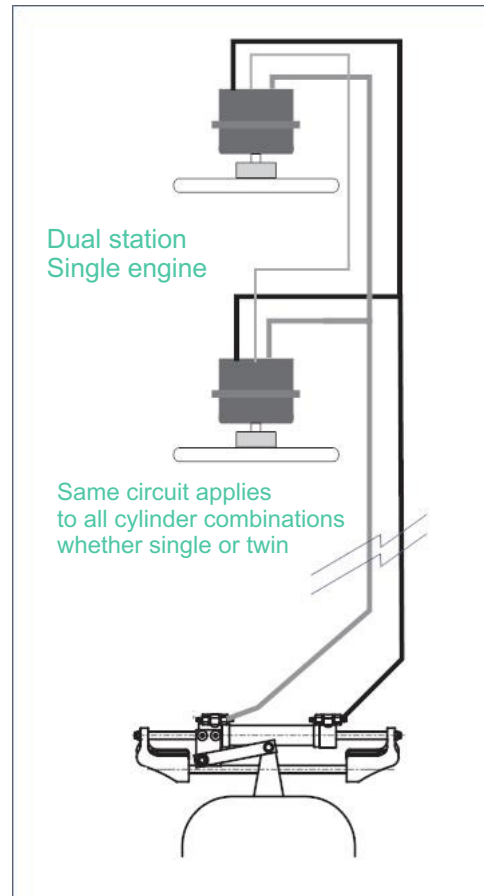
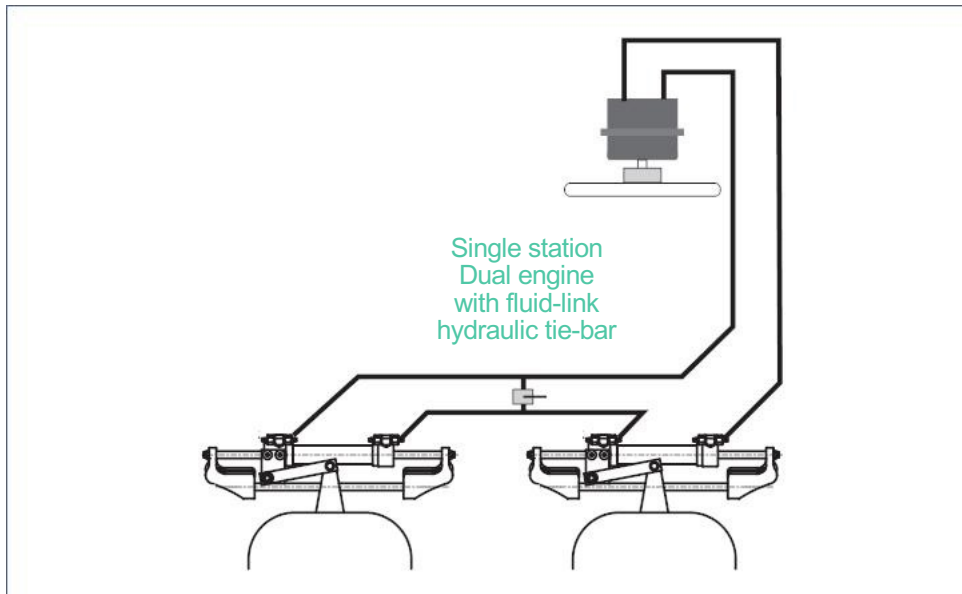
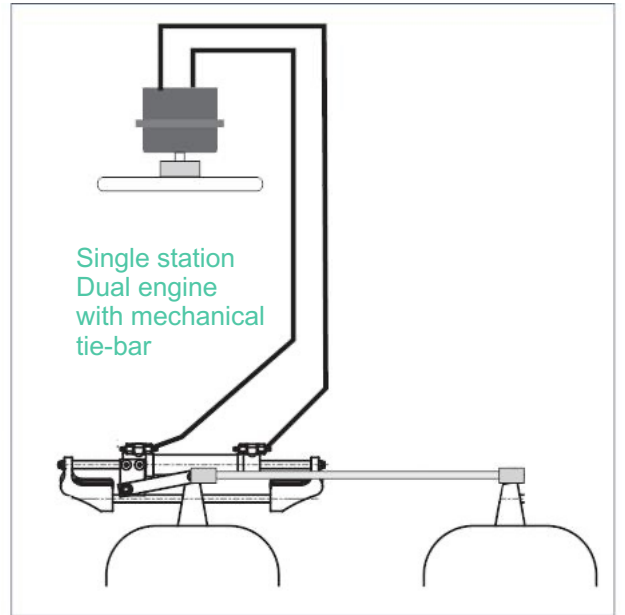
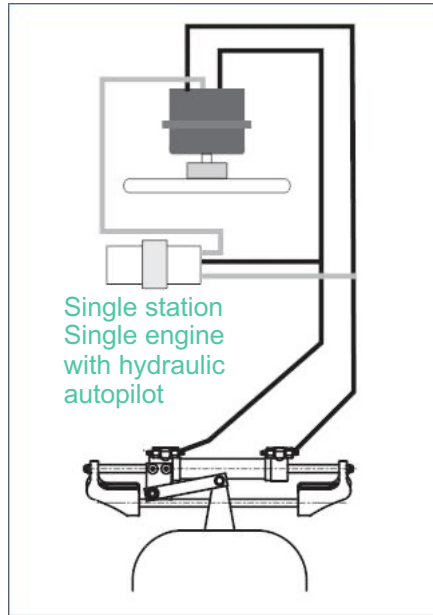
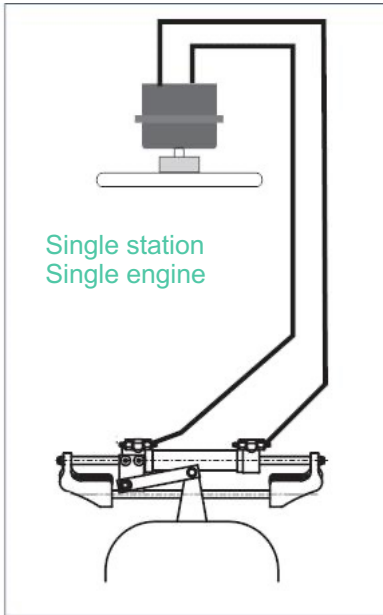


HYDRAULIC STEERING FOR OUTBOARD MOTORS

Typical steering circuits for outboard motors

Bullhorn type cylinders pictured but same circuits can be used on all cylinder types



HYDRAULIC STEERING