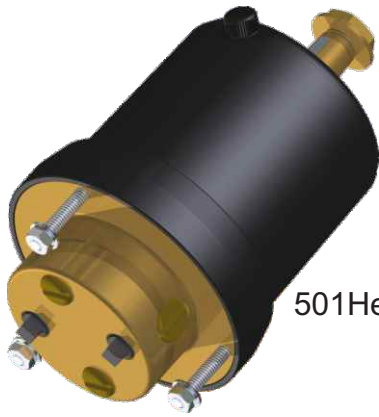


Commander HYDRAULIC STEERING FOR INBOARDS & JETS



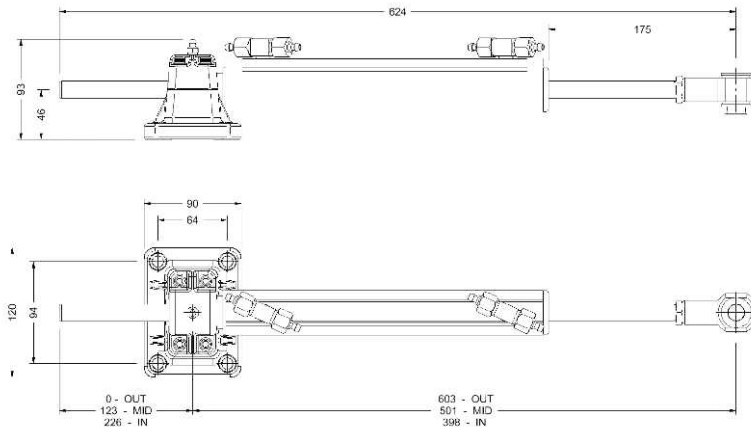
501Helm unit



510 Inboard Cylinder

COMKIT-IB2

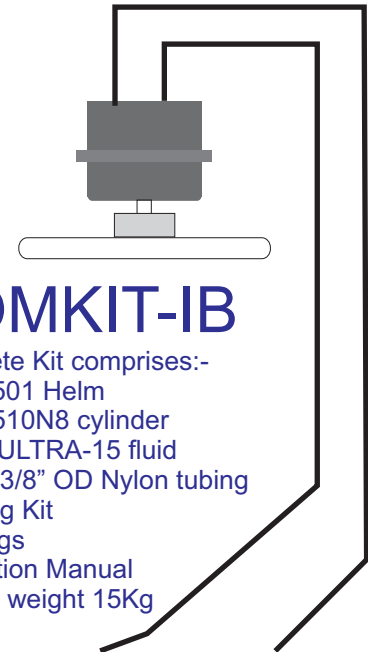
For Pleasure boats on Inboard rudders or jets - Model 510 cylinder
Rudder torque:-70 KgM



Model 510 Cylinder dimensions

Capacity:- 154cc
Stroke:- 204mm
Weight:- 5Kg

Rod End

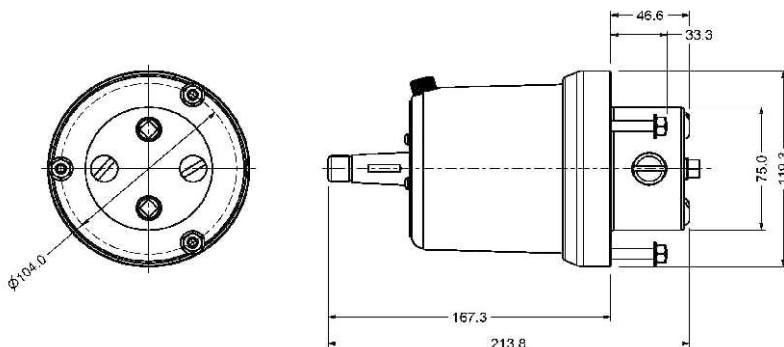


COMKIT-IB

Complete Kit comprises:-
Model 501 Helm
Model 510N8 cylinder
2 litres ULTRA-15 fluid
15Mtrs 3/8" OD Nylon tubing
Bleeding Kit
All fittings
Installation Manual
Packed weight 15Kg

SIMPLE INSTALLATION TO ANY INBOARD**
See steering circuits for multiple rudders and catamaran installation options.

WHEEL TURNS
lock to lock
401 helm = 5.5



Model 501Helm pump dimensions

Model 501 Capacity:-28cc/rev
In-built Lock valve
Maximum working pressure:- 800psi
Absolute maximum pressure:- 1000psi
Weight:- 5Kg

See also optional helm choices for front-mount and tilting helms for this kit