

# Commander HYDRAULIC STEERING FOR OUTBOARD MOTORS - PRO upgrade



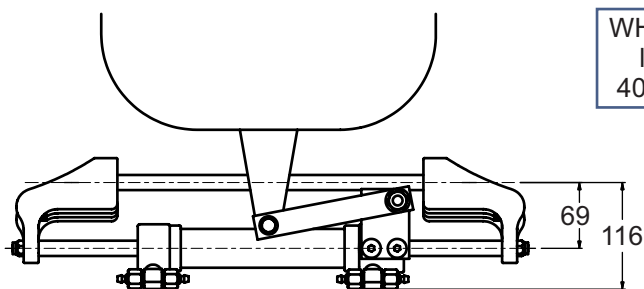
401 Helm



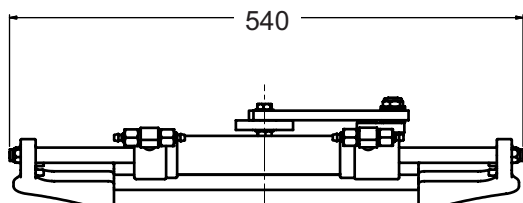
511BH cylinder

## COMKIT-1-PRO

For commercial or pleasure use on Outboards up to single 300HP or dual outboards Counter-rotating up to 600HP total\*\*

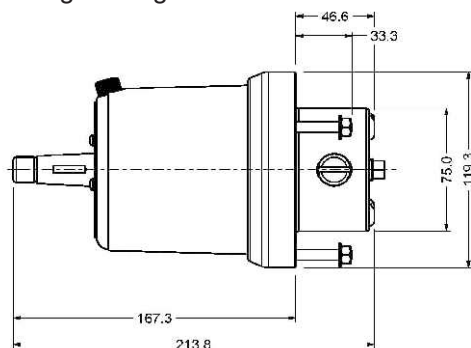
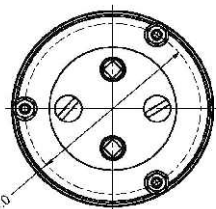


WHEEL TURNS  
lock to lock  
401 helm = 5.4



Model 511BH Cylinder dimensions

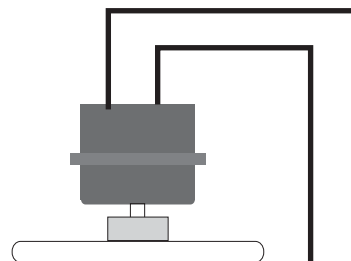
Capacity:- 154cc  
Stroke:- 203mm  
Weight:- 5Kg



Model 401 Helm pump dimensions

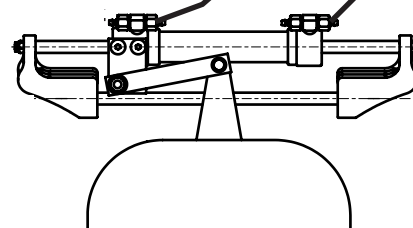
Model 401 Capacity:-28cc/rev  
In-built Lock valve  
Maximum working pressure:- 1000psi  
Absolute maximum pressure:- 1200psi  
Weight:- 5Kg

See also optional helm choices for rear-mount, wedge and tilting helms for this kit



## COMKIT-1

Complete Kit comprises:-  
Model 401 Helm  
Model 511BH cylinder  
2 litres ULTRA-15 fluid  
15Mtrs 3/8" OD Nylon tubing  
Bleeding Kit  
All fittings  
Installation Manual  
Packed weight 15Kg



SIMPLE INSTALLATION TO ANY OUTBOARD\*\*  
See steering circuits for multiple outboards and catamaran installation options.

\*\*For some model Honda and other 4-strokes the 511BH-Honda version or 511BH-MERC is required to avoid interference on motor cowling. Check selection chart to confirm.

**HyDrive**  
HYDRAULIC STEERING