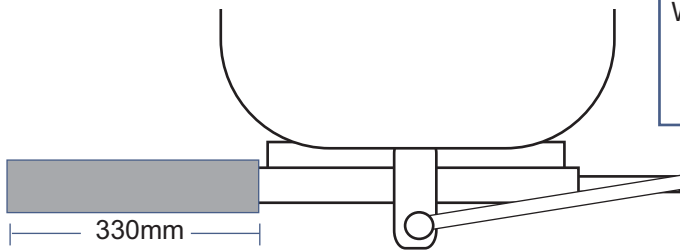


Commander HYDRAULIC STEERING FOR OUTBOARD MOTORS & STERNDRIVES

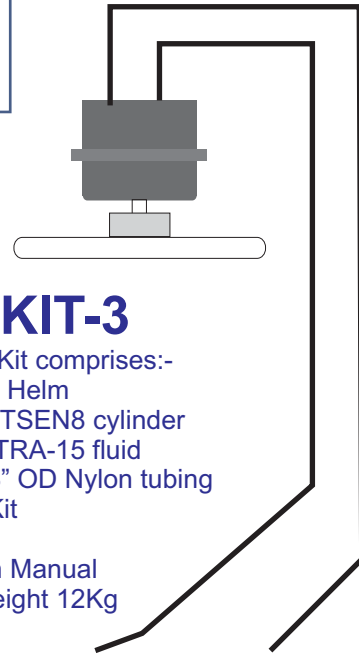


COMKIT-3

For Outboards up to single 200HP or dual outboards
Counter-rotating up to 400HP total



WHEEL TURNS
lock to lock
501 helm = 5.4



Model 510T Cylinder dimensions

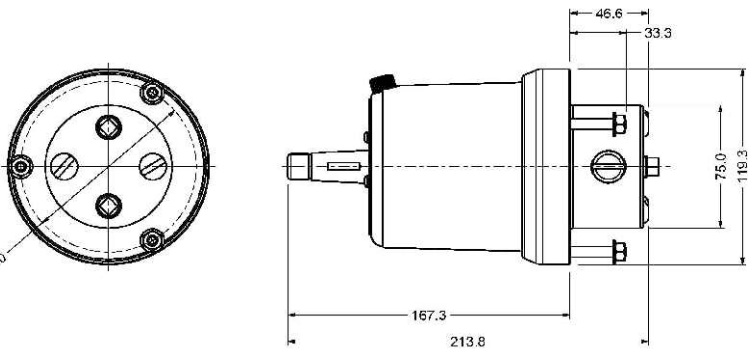
Capacity:- 154cc
Stroke:- 203mm
Weight:- 3Kg

COMKIT-3

Complete Kit comprises:-
Model 501 Helm
Model 510TSEN8 cylinder
2 litres ULTRA-15 fluid
15Mtrs 3/8" OD Nylon tubing
Bleeding Kit
All fittings
Installation Manual
Packed weight 12Kg

SIMPLE INSTALLATION TO ANY OUTBOARD**
See steering circuits for multiple outboards and
catamaran installation options.

**Unit designed to be used with standard outboard
motor drag-link supplied with the engine. Not included
in the kit as each outboard manufacturer and model has
different drag-link design..



Model 501 HELM DIMENSIONS

Model 501 Capacity:-28cc/rev
In-built Lock valve
Maximum working pressure:- 800psi
Absolute maximum pressure:- 1000psi
Weight:- 5Kg

See also optional helm choices for front-mount
and tilting helms for this kit

