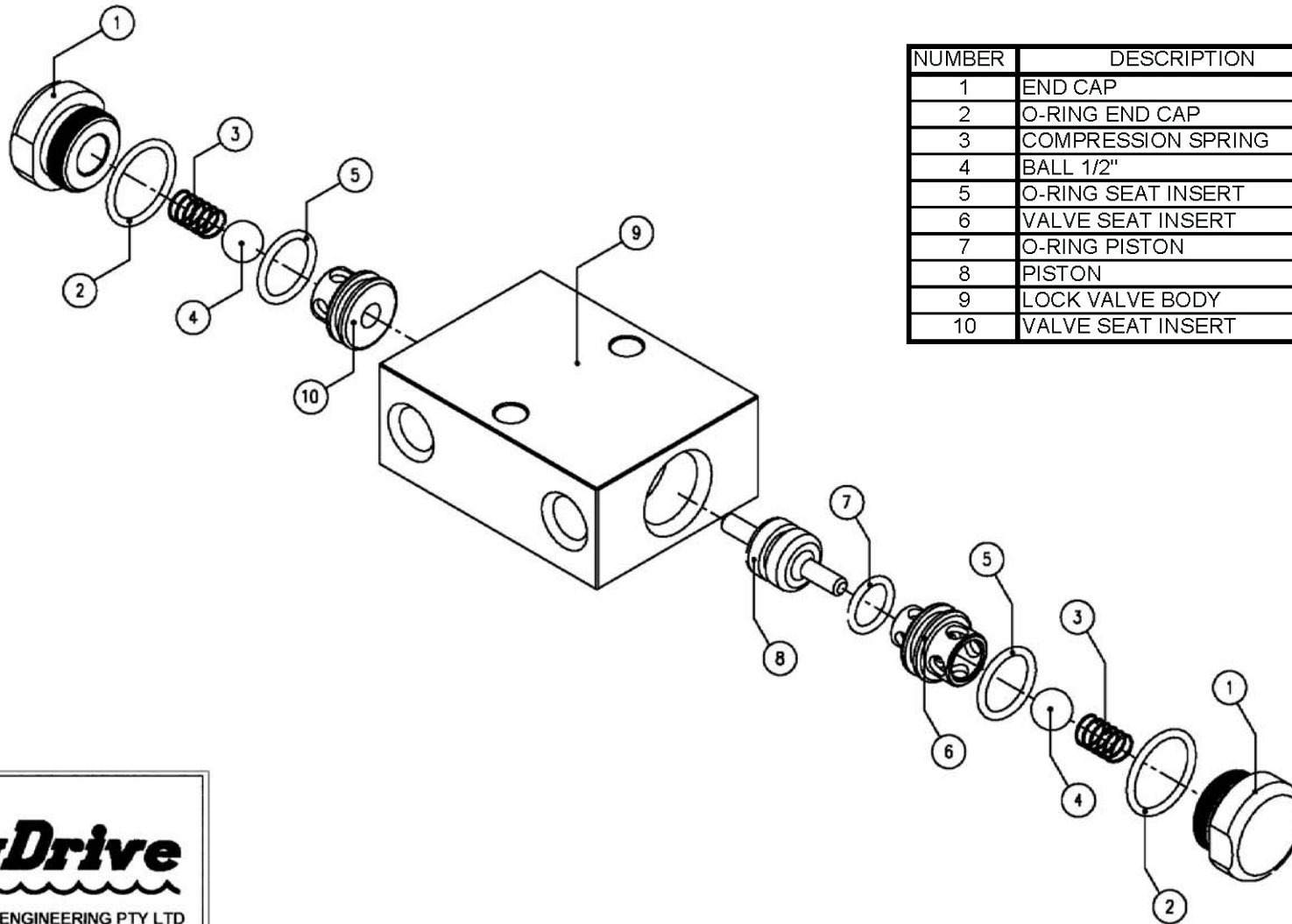


# 331 LOCK VALVE



NUMBER	DESCRIPTION	PART NUMBER	QTY
1	END CAP	EC-6141	2
2	O-RING END CAP	N7-119	2
3	COMPRESSION SPRING	SP-10142	2
4	BALL 1/2"	BA-10143	2
5	O-RING SEAT INSERT	N7-119	2
6	VALVE SEAT INSERT	VL6142	1
7	O-RING PISTON	N7-113	1
8	PISTON	PI-6145	1
9	LOCK VALVE BODY	VL-6140	1
10	VALVE SEAT INSERT	VL-6143	1

**HyDrive**

HYDRIVE ENGINEERING PTY LTD  
 59 WINGFIELD ROAD, WINGFIELD  
 SOUTH AUSTRALIA 5013  
 Tel: (08) 82431633 Fax: (08) 84457938  
 E-Mail: sales@hydrive.com.au  
 Web Site: www.hydrive.com.au