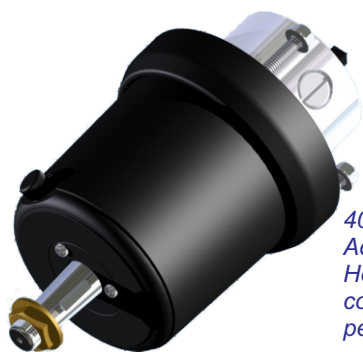


Commander HYDRAULIC STEERING FOR OUTBOARD MOTORS

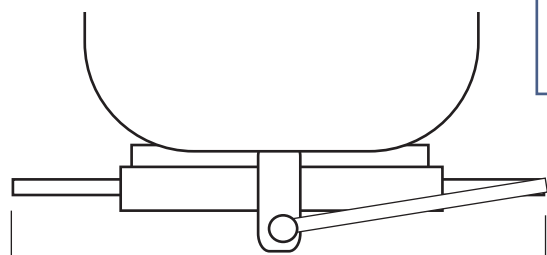


401 Heavy Duty
Admiral Series
Helm unit for
commercial and high
performance use



COMKIT5-PRO

For Outboards up to single 200HP or dual outboards
Counter-rotating up to 400HP total



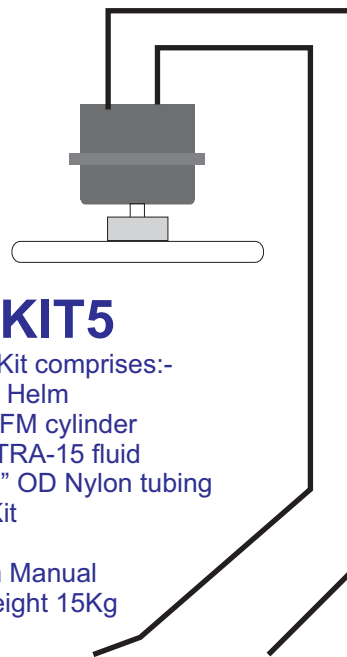
535.5 Mid Stroke Length

737.5 Full Stroke Length

WHEEL TURNS
lock to lock
401 helm = 4.9

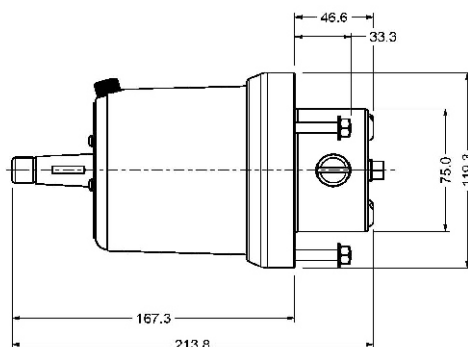
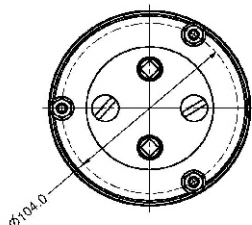
Model 516FM Cylinder dimensions

Capacity:- 137cc
Stroke:- 203mm
Weight:- 5Kg



COMKIT5

Complete Kit comprises:-
Model 401 Helm
Model 516FM cylinder
2 litres ULTRA-15 fluid
15Mtrs 3/8" OD Nylon tubing
Bleeding Kit
All fittings
Installation Manual
Packed weight 15Kg



SIMPLE INSTALLATION TO ANY OUTBOARD**
See steering circuits for multiple outboards and
catamaran installation options.

Model 401 Helm pump dimensions

Model 401 Capacity:-28cc/rev
In-built Lock valve
Maximum working pressure:- 800psi
Absolute maximum pressure:- 1000psi
Weight:- 5Kg

See also optional helm choices for front-mount
and tilting helms for this kit

