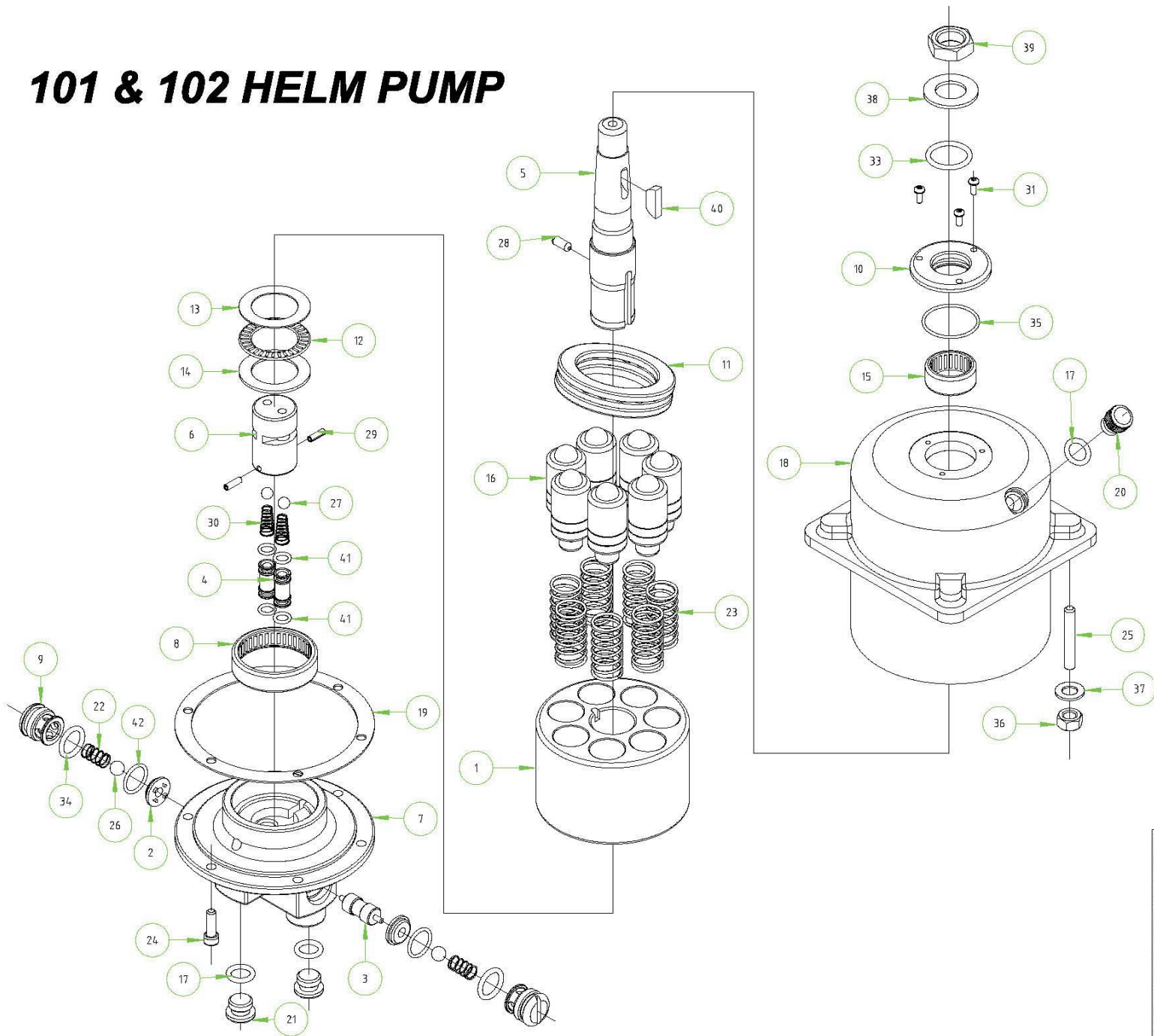


101 & 102 HELM PUMP



101 & 102 HELM PUMP

NUMBER	DESCRIPTION	PART NUMBER	QTY
1	101 CYLINDER BLOCK	CY-8527	1
	102 CYLINDER BLOCK	CY-6430	1
2	LOCK VALVE SEAT	VL-6289	2
3	LOCK VALVE PISTON	VL-6288	1
4	TRANSFER TUBES	OT-6287	2
5	SHAFT	SH-6423	1
6	DISTRIBUTOR SHAFT	SH-6424	1
7	END PLATE	EP-6421	1
8	BEARING HK4012	BE-10263	1
9	LOCK VALVE CARTRIDGE	VL-6290	2
10	GLAND RETAINER	GL-6429	1
11	BEARING THRUST 10201	BE-10201	1
12	BEARING NEEDLE ROLLER	BE-10264	1
13	BEARING THIN WASHER	BE-10265	1
14	BEARING THICK WASHER	BE-10266	1
15	BEARING HK2212	BE-10262	1
16	101 PISTON	PI-6428	7
	102 PISTON	PI-6431	7
17	O-RING FILLER CAP	N7-012	1
18	HELM BODY	HB-6420	1
19	ENDPLATE GASKET	GA-10210	2
20	FILLER CAP VENTED	FC-6291	1
21	BALANCE LINE PLUG	PL-6296	2
22	LOCK VALVE COMPRESSION SPRING	SP-10205	2
23	COMPRESSION SPRINGS	SP-10268	7
24	SCREW M5x16	SC-10208	6
25	MOUNTING STUDS	SC-6295	4
26	5/16" LOCK VALVE BALL	BA-10203	2
27	1/4" BALL	BA-10261	2
28	M5x12 DOWEL PIN	DO-8095	1
29	1/8"x7/16" PIN	RP-10267	2
30	CONICAL COMPRESSION SPRING	SP-10200	2
31	SCREW M3x8	SC-10207	3
32	O-RING BAL. PLUG	N7-110	2
33	O-RING FRONT SEAL	N7-117	1
34	O-RING L.V.	N7-113	2
35	O-RING GLAND RETAINER	M28x1.5	1
36	5/16"UNC NUT	NU-10218	4
37	5/16"x5/8"x18g WASHER	WA-10034	4
38	5/8" WASHER	WA-10223	1
39	LOCK NUT 5/8" UNF	NU-6108	1
40	WOODRUF KEY 3/16x3/4	KE-10219	1
41	O-RING TRANS. TUBE	N7-010	4
42	O-RING L.V. SEAT	N7-015	2

HYDRIVE ENGINEERING PTY LTD
 59 WINGFIELD ROAD, WINGFIELD
 SOUTH AUSTRALIA 5013
 Tel: (08) 82431633 Fax: (08) 84457938
 E-Mail: sales@hydrive.com.au
 Web Site: www.hydrive.com.au