

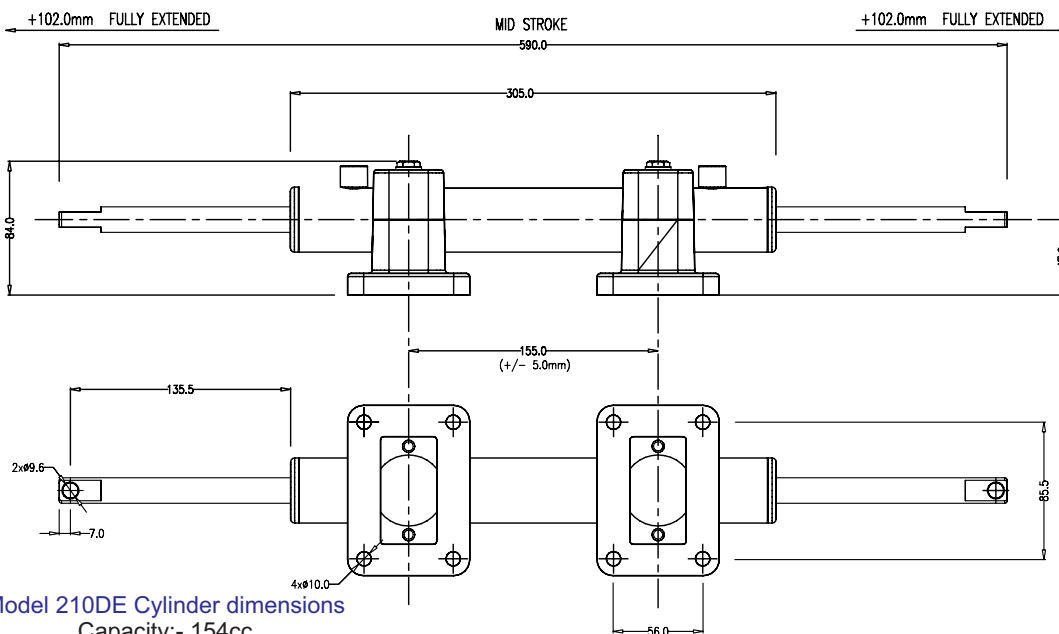
# HYDRAULIC STEERING FOR OUTBOARD MOTORS



Cylinder construction  
Bronze, Brass and Stainless steel

## OBKIT4

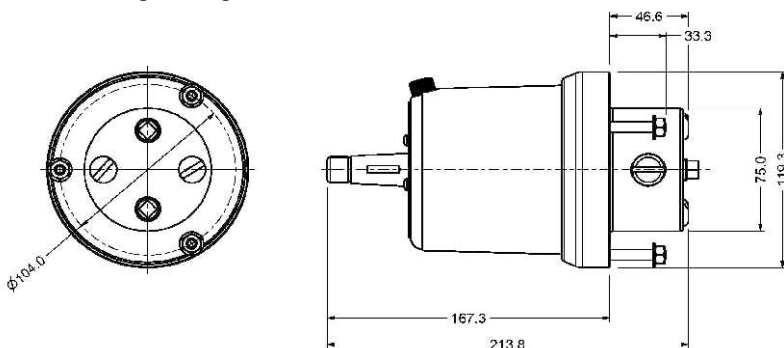
For Outboards up to twin outboards  
on some catamaran installations



WHEEL TURNS  
lock to lock  
401 helm = 5.5  
402 helm = 4.4

Model 210DE Cylinder dimensions

Capacity:- 154cc  
Stroke:- 203mm  
Weight:- 5Kg



Model 401 and 402 Helm pump dimensions

Model 401 Capacity:-28cc/rev  
Model 402 Capacity:-35cc/rev  
In-built Lock valve  
Maximum working pressure:- 1000psi  
Absolute maximum pressure:- 1500psi  
Weight:- 5Kg

See also optional helm choices for front-mount  
and tilting helms for this kit

## OBKIT4

Complete Kit comprises:-  
Model 401 Helm  
Model 210DE cylinder  
2 litres ULTRA-15 fluid  
15Mtrs 3/8" OD Nylon tubing  
Bleeding Kit  
All fittings  
Installation Manual  
Packed weight 15Kg

