

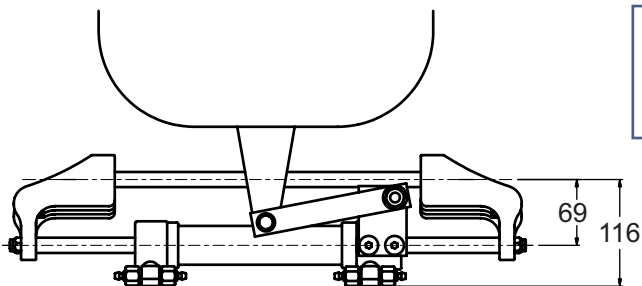
# HYDRAULIC STEERING FOR OUTBOARD MOTORS



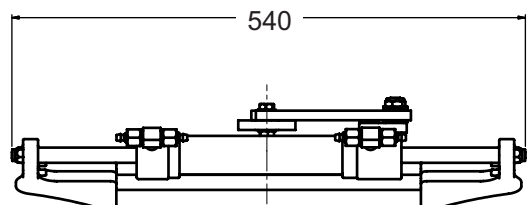
Cylinder construction  
Bronze, Brass and Stainless steel

## OBKIT1-XT

For Outboards up to single 350HP or dual outboards  
Counter-rotating up to 1200HP total\*\*\*

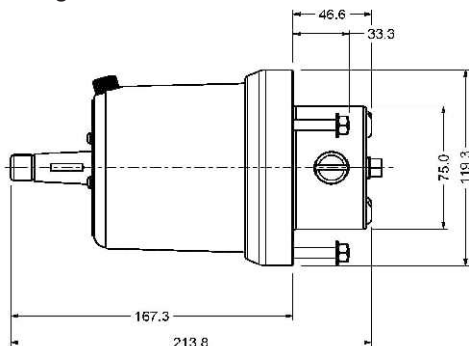
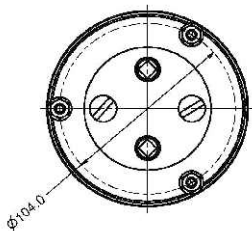


WHEEL TURNS  
lock to lock  
401 helm = 5.5  
402 helm = 4.4



Model 211BH-XT Cylinder dimensions

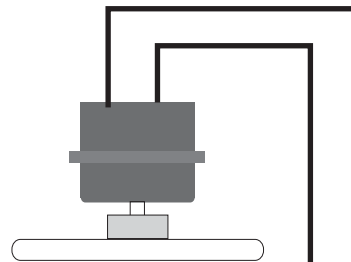
Capacity:- 154cc  
Stroke:- 203mm  
Weight:- 5Kg



Model 401 and 402 Helm pump dimensions

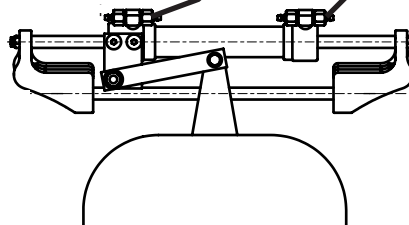
Model 401 Capacity:-28cc/rev  
Model 402 Capacity:-35cc/rev  
In-built Lock valve  
Maximum working pressure:- 1000psi  
Absolute maximum pressure:- 1500psi  
Weight:- 5Kg

\*\*\*POWER STEERING may be required for large HP installations for best performance and handling.



## OBKIT1-XT

Complete Kit comprises:-  
Model 401 Helm  
Model 211BH-XT cylinder  
2 litres ULTRA-15 fluid  
15Mtrs 3/8" OD Nylon tubing  
Bleeding Kit  
All fittings  
Installation Manual  
Packed weight 15Kg



SIMPLE INSTALLATION TO ANY OUTBOARD\*\*  
See steering circuits for multiple outboards and catamaran installation options.

\*\*For some model Honda and other 4-strokes the 211BH-Honda version is required to avoid interference on motor cowling.

**HyDrive**  
HYDRAULIC STEERING