

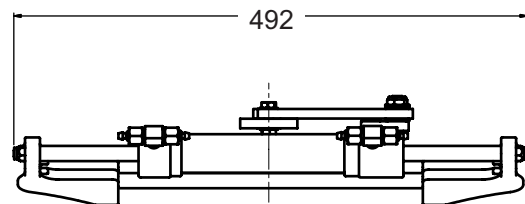
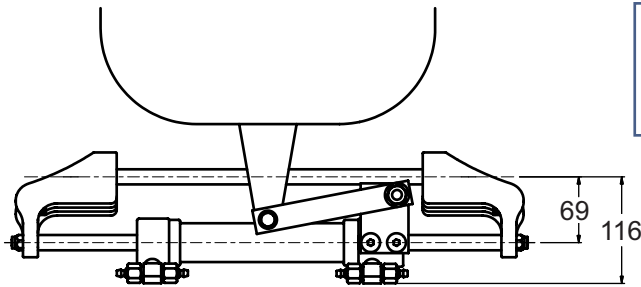
# HYDRAULIC STEERING FOR OUTBOARD MOTORS



Cylinder construction  
Bronze, Brass and Stainless steel

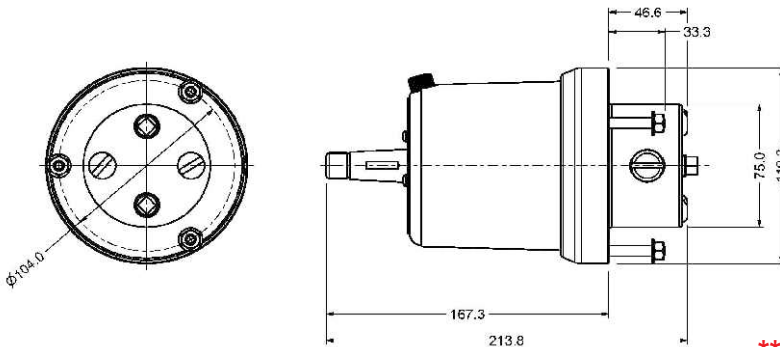
## OBKIT1-COMPACT

For Outboards in very narrow engine wells up to single 250HP or dual outboards Counter-rotating up to 500HP total\*\*



Model 211BH-COMPACT Cylinder dimensions

Capacity:- 135cc  
Stroke:- 178mm  
Weight:- 5Kg

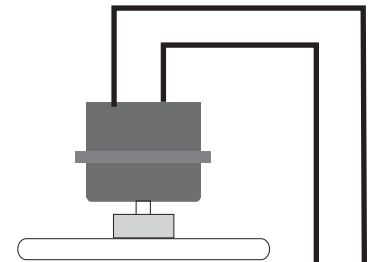


Model 401 and 402 Helm pump dimensions

Model 401 Capacity:-28cc/rev  
Model 402 Capacity:-35cc/rev  
In-built Lock valve  
Maximum working pressure:- 1000psi  
Absolute maximum pressure:- 1500psi  
Weight:- 5Kg

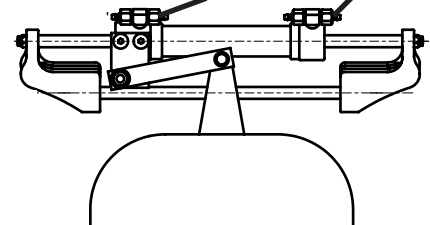
See also optional helm choices for front-mount and tilting helms for this kit

WHEEL TURNS  
lock to lock  
401 helm = 4.8  
402 helm = 3.8



## OBKIT1-COMPACT

Complete Kit comprises:-  
Model 401 Helm  
Model 211BH-COMPACT cylinder  
2 litres ULTRA-15 fluid  
15Mtrs 3/8" OD Nylon tubing  
Bleeding Kit  
All fittings  
Installation Manual  
Packed weight 15Kg



SIMPLE INSTALLATION TO ANY OUTBOARD\*\*  
See steering circuits for multiple outboards and catamaran installation options.

**\*\*LIMITED STROKE - should only be used for engine wells that cannot be fitted with other full stroke models**