

HELM UNITS

The new Admiral Series 401 and 402 helm units offer improved internal efficiencies and unique assembly design, consolidating HyDrive Engineering's position as a world-leader in hydraulic boat steering. Two years of design development and testing have resulted in these helms being selected as the standard helm supplied in all HyDrive steering kits from 1st January 2010.

Model 401 Helm
28cc per rev

Model 402 Helm
35cc per rev

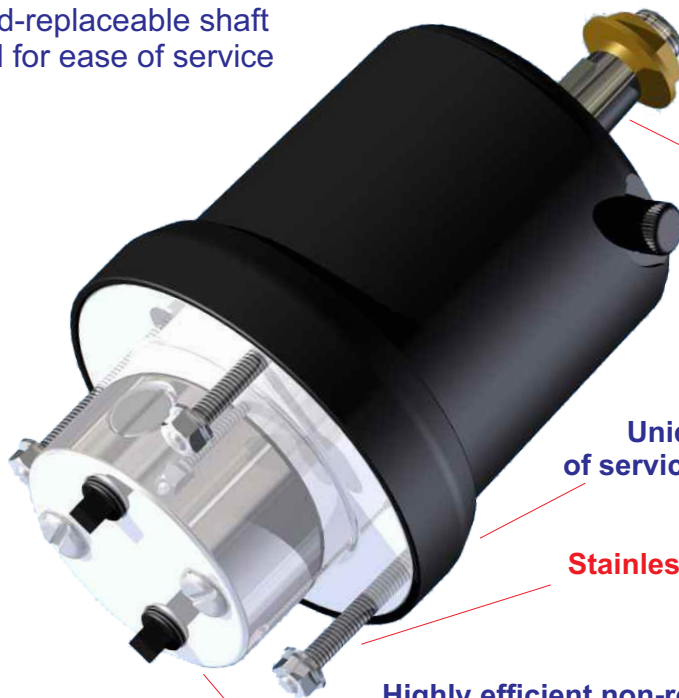
FEATURES



Front-mount design for maximum appeal

Improved internal efficiency

Field-replaceable shaft seal for ease of service



Brass wheel nut and washer

Stainless steel steering wheel shaft - not aluminium

Anti-splash filler cap for rough conditions

Unique assembly design for ease of service and maximum performance

Stainless steel studs, nuts & washers pre-fitted for convenience

Highly efficient non-return valves for non feedback of helm unit - eliminates all torque from the steering cylinder

See rear pages for details on Model 101 & 102 helms plus TILTING HELM options