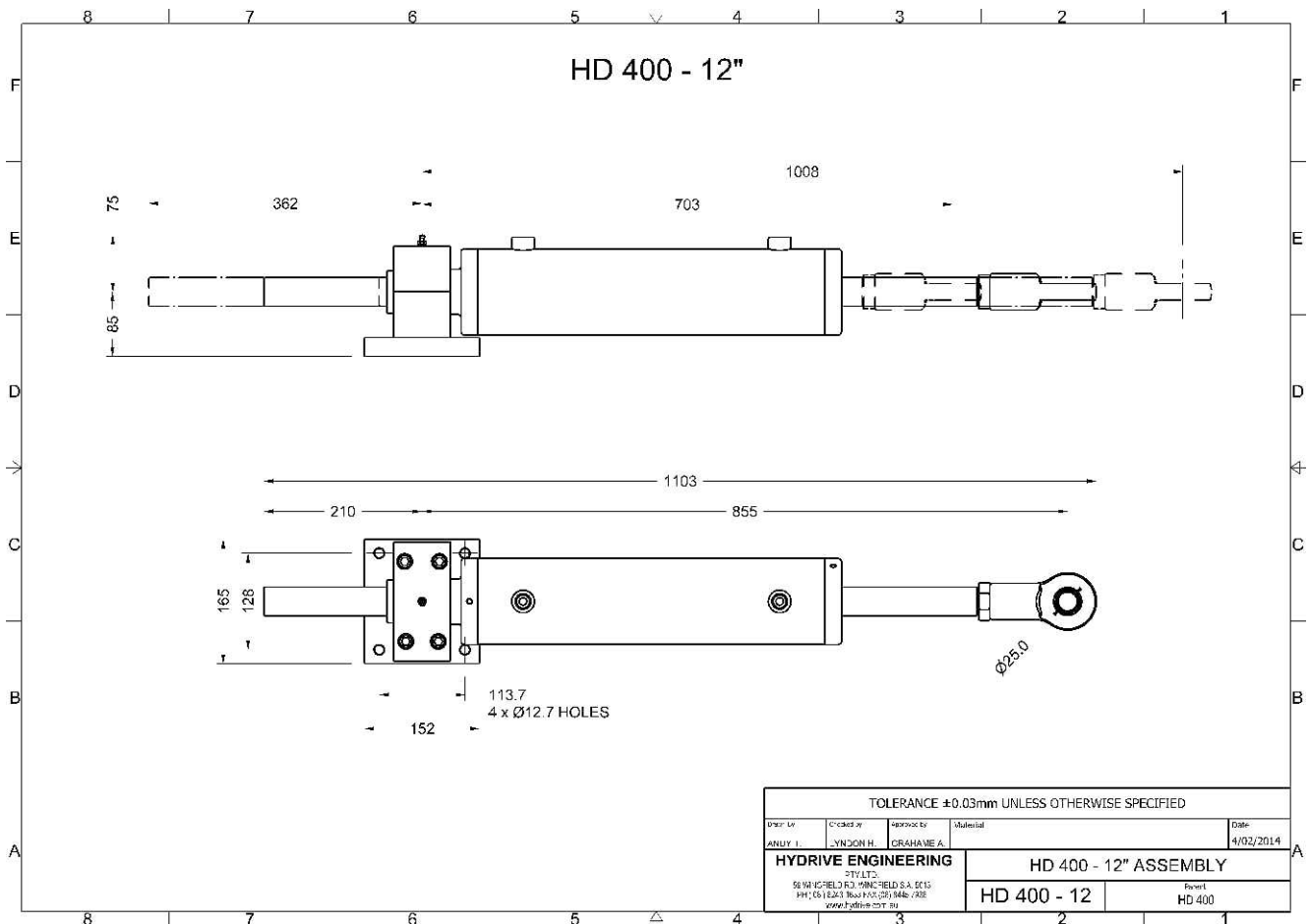


# HD SERIES - CYLINDERS



## MODEL HD400-12

### NOMINAL DIMENSIONS



NOTE: dimensions are nominal only and subject to change without notice. These dimensions should be used only as a general guide to the footprint of space required. Final drilling and fitting of the cylinder should only be done once the unit has been delivered and on-site.

Bore diameter:- 4"  
Stroke - 12" ( 304mm)  
Volume - 2121cc  
Tiller length - 265mm

Cylinder thrust @ 1000psi = 4897Kgf  
Rudder torque @ 1000psi @ 0 degrees = 1301KgM  
Rudder torque @ 1000psi @ 70 degrees = 1066KgM

Maximum Working Pressure - 1500psi

Design Pressure - 2250psi