

HD SERIES - CYLINDERS

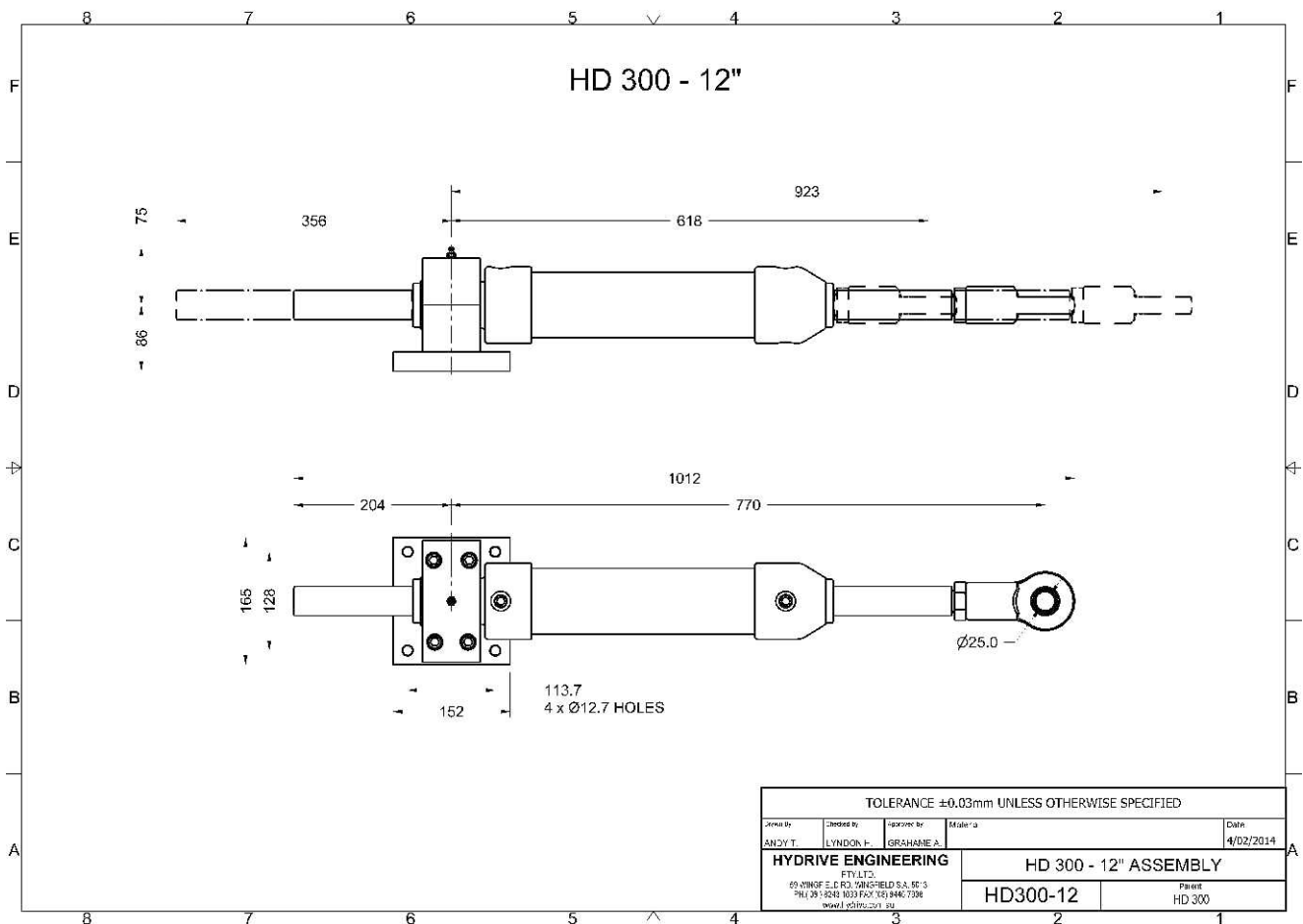


Spherical rod-end,
electro-less coated steel with
stainless steel insert.

Full articulated ball type
mounting bracket - electro-less
nickel coated steel - fully protected
by polyurethane coating

MODEL HD300-12

NOMINAL DIMENSIONS



NOTE: dimensions are nominal only and subject to change without notice. These dimensions should be used only as a general guide to the footprint of space required. Final drilling and fitting of the cylinder should only be done once the unit has been delivered and on-site.

Bore diameter:- 3"
Stroke - 12" (304mm)
Volume - 1041cc
Tiller length - 265mm

Cylinder thrust @ 1000psi = 2404Kgf
Rudder torque @ 1000psi @ 0 degrees = 639KgM
Rudder torque @ 1000psi @ 70 degrees = 523KgM

Maximum Working Pressure - 1500psi

Design Pressure - 2250psi