

HD SERIES - CYLINDERS

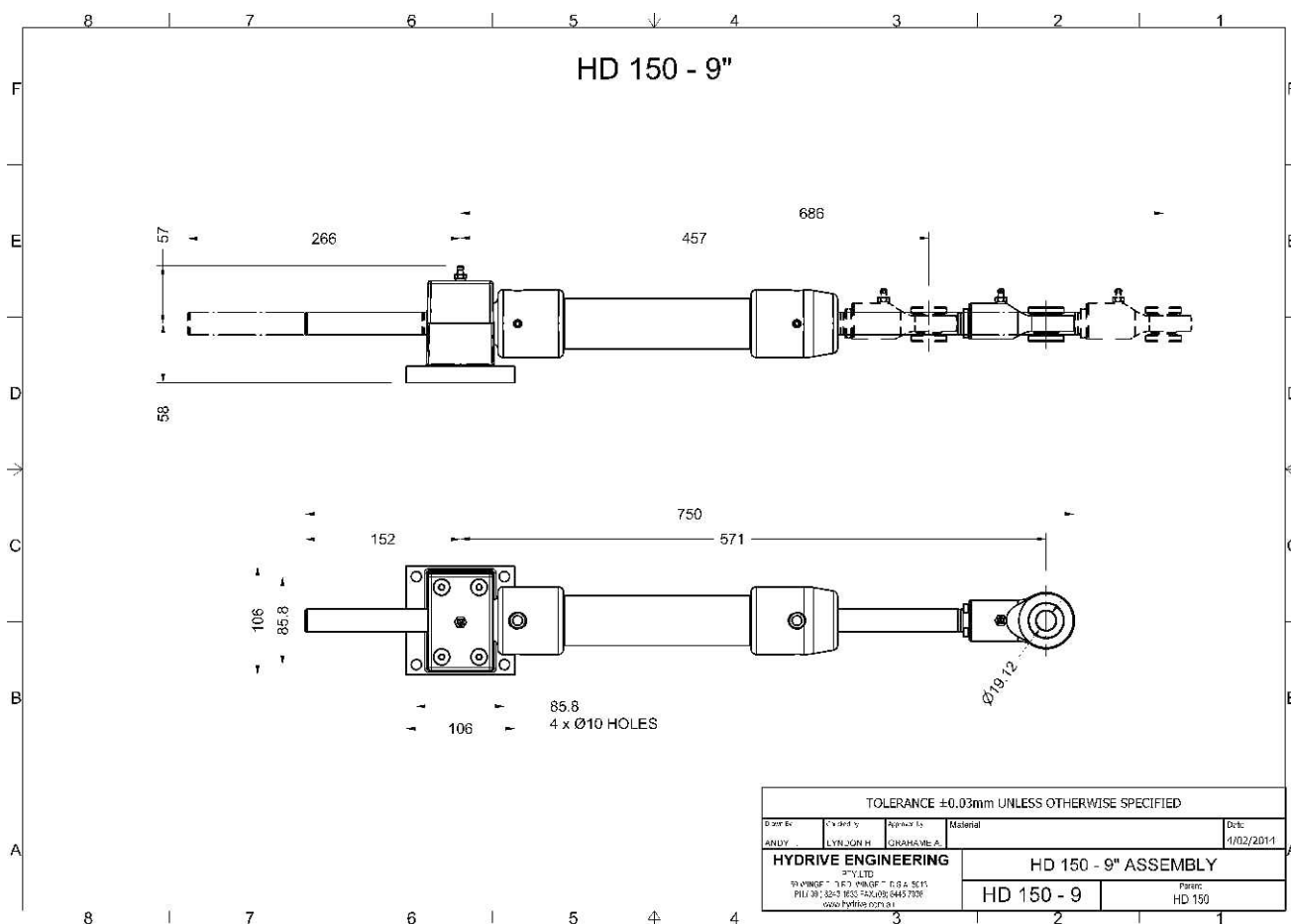


Full articulated ball type mounting bracket - high tensile bronze.

Bronze/Stainless steel spherical rod-end assembly complete with s.s mounting bolt and lock nuts

MODEL HD150-9

NOMINAL DIMENSIONS



NOTE: dimensions are nominal only and subject to change without notice. These dimensions should be used only as a general guide to the footprint of space required. Final drilling and fitting of the cylinder should only be done once the unit has been delivered and on-site.

Bore diameter:- 1.5"
 Stroke - 9" (229mm)
 Volume - 195cc
 Tiller length - 200mm

Cylinder thrust @ 1000psi = 601Kgf
 Rudder torque @ 1000psi @ 0 degrees = 120KgM
 Rudder torque @ 1000psi @ 70 degrees = 98KgM

Maximum Working Pressure - 1500psi

Design Pressure - 2250psi