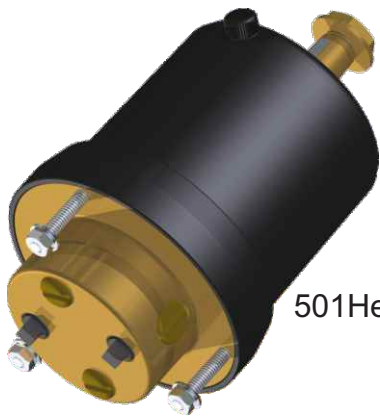


Commander HYDRAULIC STEERING FOR INBOARDS & JETS



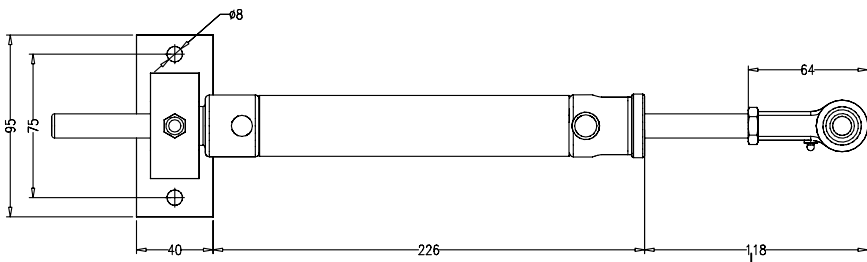
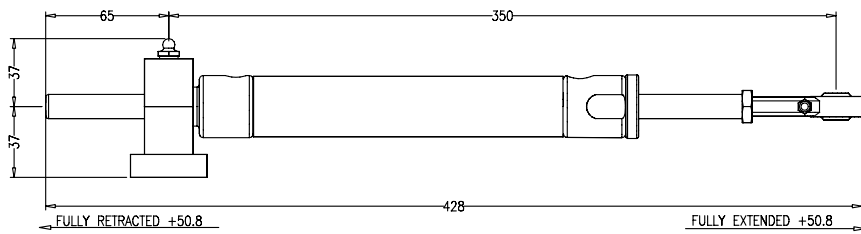
501Helm unit



Cylinder construction
Anodised marine aluminium
and Stainless steel

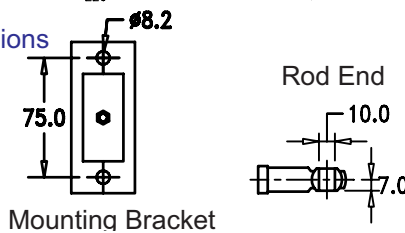
COMKIT-JET

For Inboard Jets - Rudder torque:-20KgM

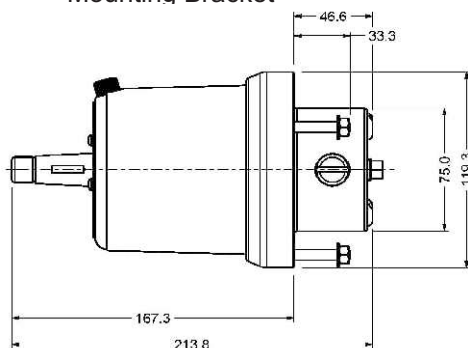
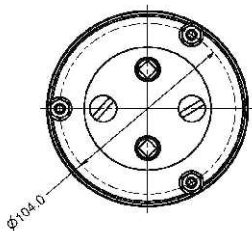


Model 212JET Cylinder dimensions

Capacity:- 39cc
Stroke:- 104mm
Weight:- 1Kg



Mounting Bracket



Model 501 Helm pump dimensions

Model 501 Capacity:-28cc/rev
In-built Lock valve
Maximum working pressure:- 800psi
Absolute maximum pressure:- 1000psi
Weight:- 5Kg

See also optional helm choices for front-mount
and tilting helms for this kit

COMKIT-JET

Complete Kit comprises:-
Model 501 Helm
Model 212JETN8 cylinder
2 litres ULTRA-15 fluid
15Mtrs 3/8" OD Nylon tubing
Bleeding Kit
All fittings
Installation Manual
Packed weight 12Kg

SIMPLE INSTALLATION TO ANY INBOARD**
See steering circuits for multiple rudders and
catamaran installation options.

WHEEL TURNS
lock to lock
401 helm = 1.4

