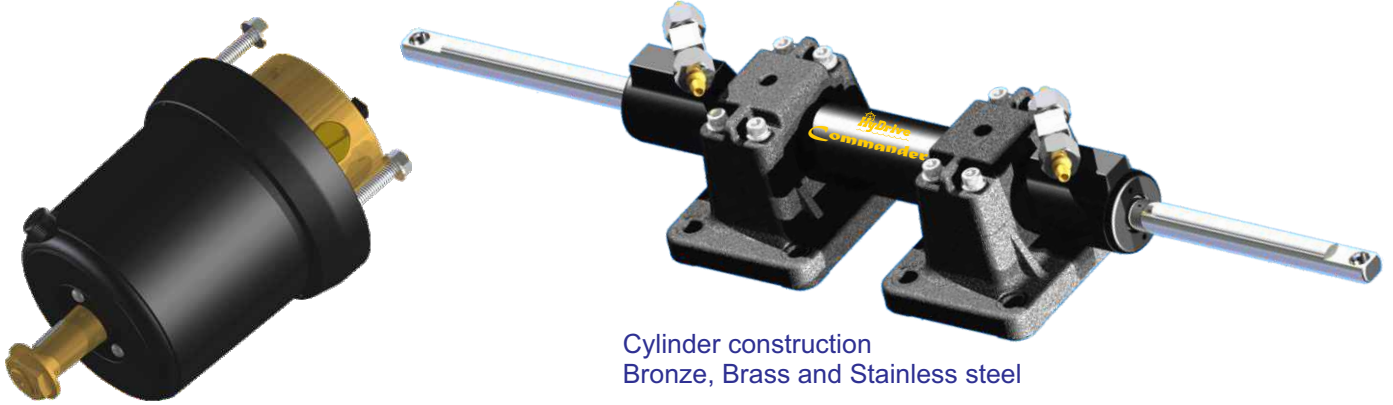


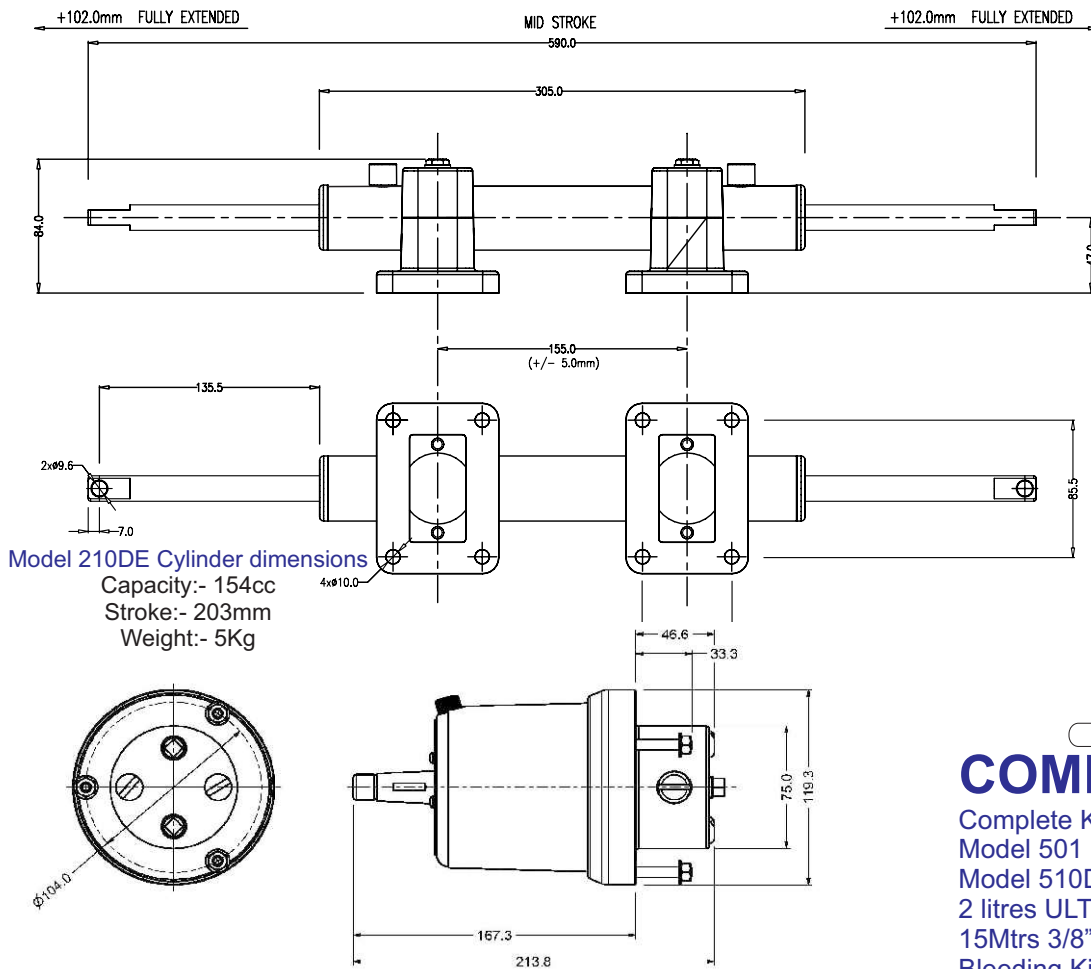
# HYDRAULIC STEERING FOR OUTBOARD MOTORS



Cylinder construction  
Bronze, Brass and Stainless steel

## COMKIT4

For Outboards up to twin outboards to 200HP each  
on some small catamaran installations - Leisure use only



Model 210DE Cylinder dimensions

Capacity:- 154cc  
Stroke:- 203mm  
Weight:- 5Kg

Model 501 Helm pump dimensions

Model 501 Capacity:-28cc/rev  
In-built Lock valve  
Maximum working pressure:- 800psi  
Absolute maximum pressure:- 1000psi  
Weight:- 5Kg

See also optional helm choices for front-mount  
and tilting helms for this kit

For commercial use - us PRO version kit and 401 Helm unit

WHEEL TURNS  
lock to lock  
501 helm = 5.5

## COMKIT4

Complete Kit comprises:-  
Model 501 Helm  
Model 510DE cylinder  
2 litres ULTRA-15 fluid  
15Mtrs 3/8" OD Nylon tubing  
Bleeding Kit  
All fittings  
Installation Manual  
Packed weight 15Kg

