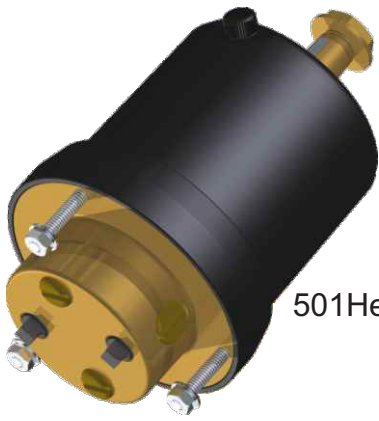


# Commander HYDRAULIC STEERING FOR OUTBOARD MOTORS & STERNDRIVES



501Helm unit

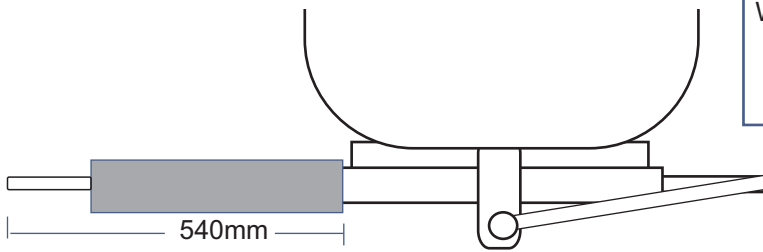


510T Cylinder

Cylinder construction  
Anodised marine aluminium  
and Stainless steel

## COMKIT-2

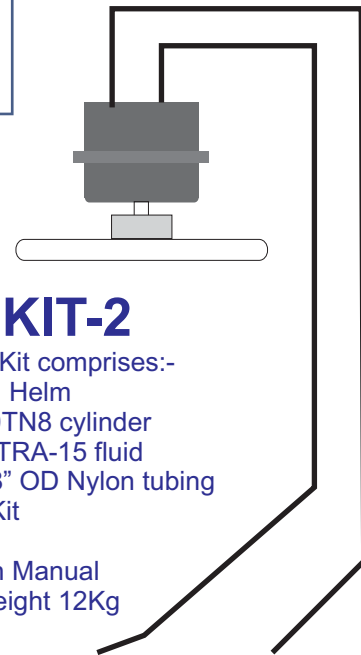
For Outboards up to single 200HP or dual outboards  
Counter-rotating up to 400HP total



Model 510T Cylinder dimensions

Capacity:- 154cc  
Stroke:- 203mm  
Weight:- 3Kg

WHEEL TURNS  
lock to lock  
501 helm = 5.4

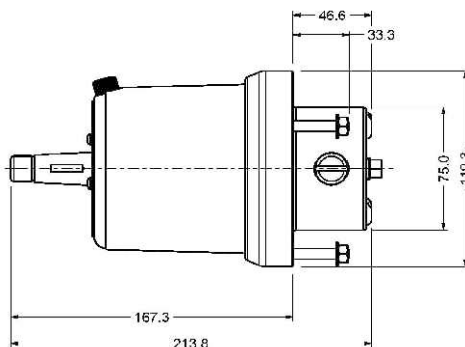


## COMKIT-2

Complete Kit comprises:-  
Model 501 Helm  
Model 510TN8 cylinder  
2 litres ULTRA-15 fluid  
15Mtrs 3/8" OD Nylon tubing  
Bleeding Kit  
All fittings  
Installation Manual  
Packed weight 12Kg

SIMPLE INSTALLATION TO ANY OUTBOARD\*\*  
See steering circuits for multiple outboards and  
catamaran installation options.

\*\*Unit designed to be used with standard outboard  
motor drag-link supplied with the engine. Not included  
in the kit as each outboard manufacturer and model has  
different drag-link design..



### Model 501 HELM DIMENSIONS

Model 501 Capacity:-28cc/rev  
In-built Lock valve  
Maximum working pressure:- 800psi  
Absolute maximum pressure:- 1000psi  
Weight:- 5Kg

See also optional helm choices for front-mount  
and tilting helms for this kit

