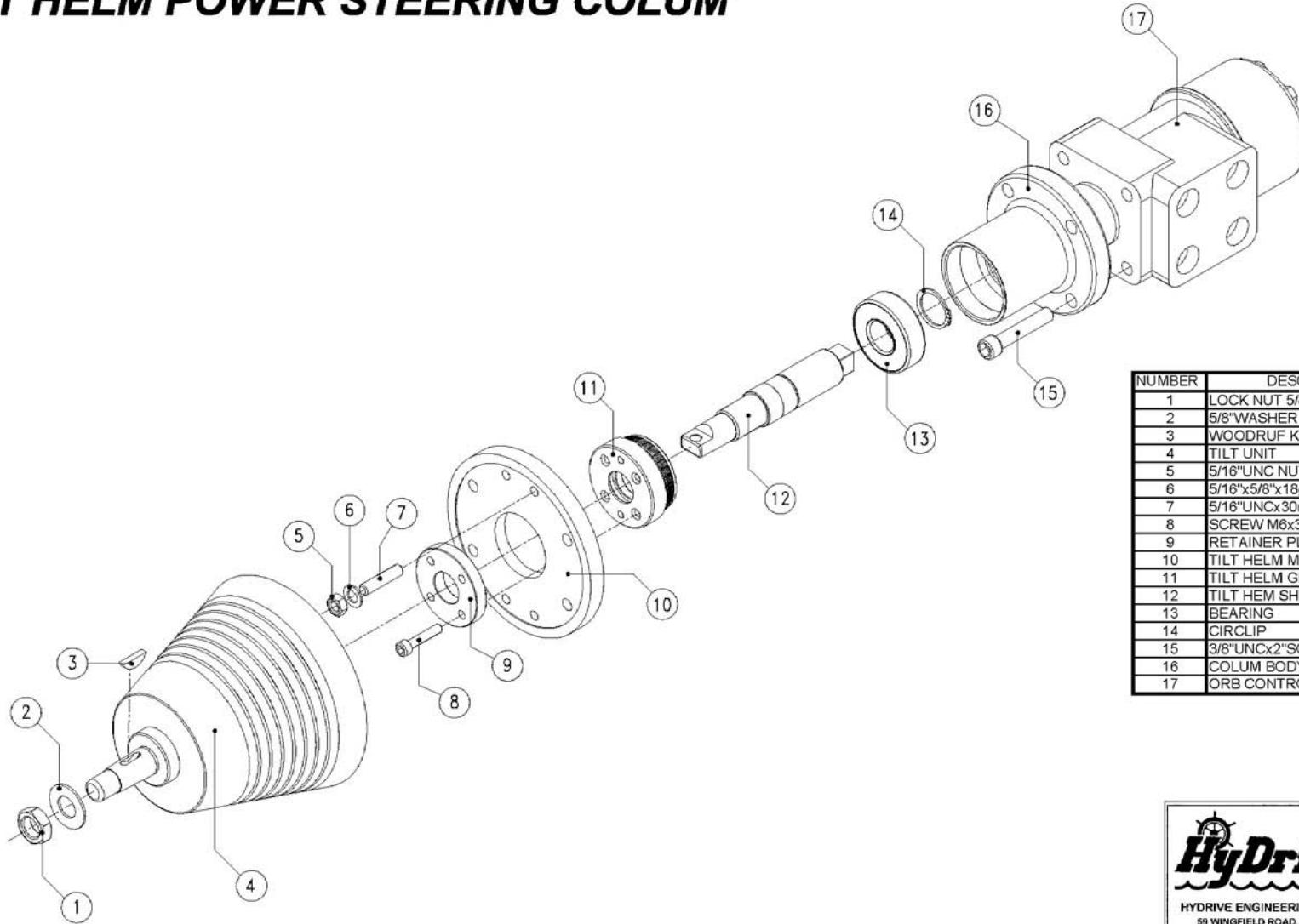


TILT HELM POWER STEERING COLUMN



NUMBER	DESCRIPTION	PART NUMBER	QTY
1	LOCK NUT 5/8"UNF	NU-6108	1
2	5/8"WASHER	WA-10013	1
3	WOODRUF KEY 3/16x3/4	KE-10219	1
4	TILT UNIT	TH-6608	1
5	5/16"UNC NUT	NU-10033	4
6	5/16"x5/8"x18g WASHER	WA-10034	4
7	5/16"UNCx30mm STUD	ST-6625	4
8	SCREW M6x30	SC-6617	4
9	RETAINER PLATE	TH-6612	1
10	TILT HELM MOUNTING PLATE	TH-6610	1
11	TILT HELM GLAND CAP P/S	TH-6616	1
12	TILT HELM SHAFT P/S	SH-6622	1
13	BEARING	BE-10122	1
14	CIRCLIP	CI-10172	1
15	3/8"UNCx2" SOCKET HEAD 304	SC-10273	4
16	COLUM BODY	PS-6270	1
17	ORB CONTROL	N/A	1

