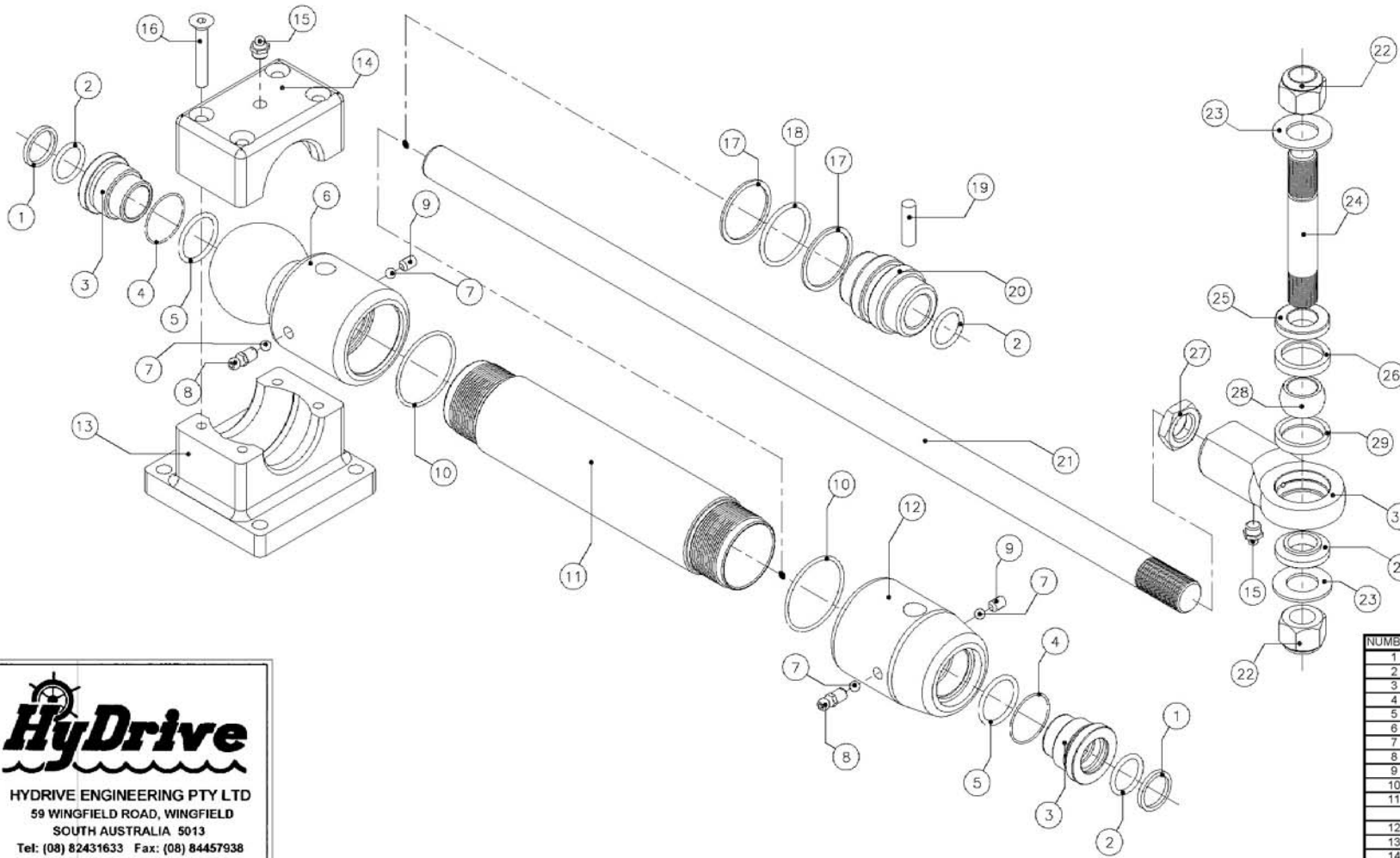


# HD250 SLAVE CYLINDER



**HyDrive**

HYDRIVE ENGINEERING PTY LTD  
 59 WINGFIELD ROAD, WINGFIELD  
 SOUTH AUSTRALIA 5013  
 Tel: (08) 82431633 Fax: (08) 84457938  
 E-Mail: sales@hydrive.com.au  
 Web Site: www.hydrive.com.au

NUMBER	DESCRIPTION	PART NUMBER	QTY
1	ROD WIPER SEAL	WS-10038	2
2	O-RING PISTON ROD	N7-214	3
3	ROD GUIDE GLAND	RG-6556	2
4	O-RING ROD GUIDE LOCKING	N7-027	2
5	O-RING ROD GUIDE	N7-218	2
6	END CAP MOUNTING END	EC-6506	1
7	BLEEDER BALL	BA-10058	2
8	BLEEDER NIPPLE	BL-6018	2
9	GRUB SCREW 5/16" S/S	FI-6019	2
10	O-RING CYLINDER	N7-147	2
11	CYLINDER 12" STROKE	CY-6527	1
12	CYLINDER 15" STROKE	CY-6528	1
13	END CAP FREE END	EC-6507	1
14	MOUNTING BRACKET BASE	MO-6560	1
15	MOUNTING BRACKET CAP	MO-6561	1
16	GREASE NIPPLE	GN-10128	2
17	MOUNTING BRACKET BOLTS	SC-10275	4
18	BACK UP RING	BW-10043	2
19	O-RING PISTON	N7-228	1
20	PISTON	PI-6543	1
21	PISTON ROD 12" STROKE	PR-6536	1
	PISTON ROD 15" STROKE	PR-6537	1
22	PIVOT SHFT NUT NYLOC	NU-10278	2
23	PIVOT SHAFT WASHER	WA-10280	2
24	PIVOT SHAFT	SH-6562	1
25	PIVOT SHAFT SPACER BUSH	BU-6564	2
26	THREADED BEARING INSERT	RE-6558	1
27	ROD END LOCKNUT	NU-6552	1
28	ROD END BALL	BE-6520	1
29	BEARING INSERT	RE-6557	1
30	ROD END	RE-6550	1