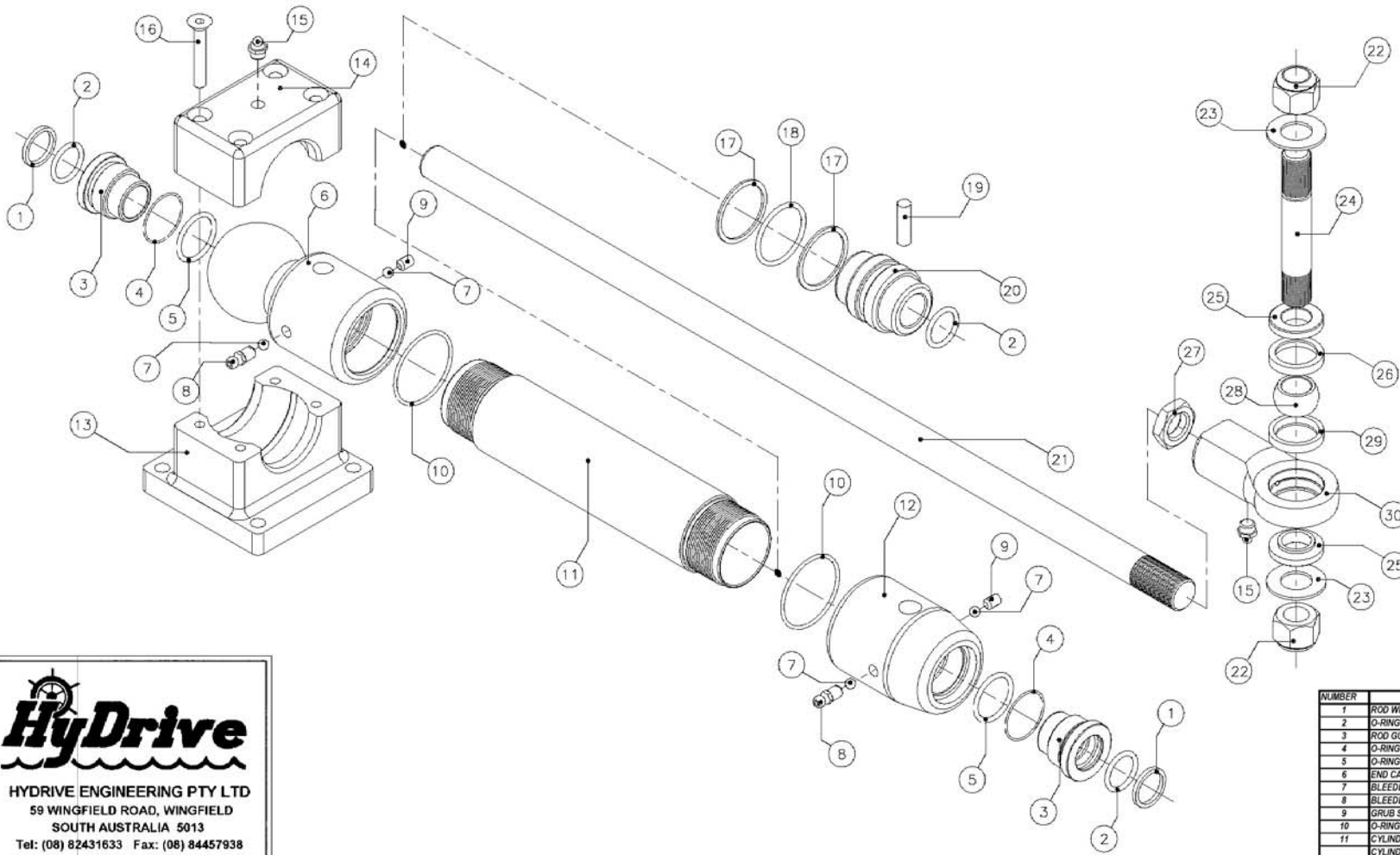


HD200 SLAVE CYLINDER



HyDrive
 HYDRIVE ENGINEERING PTY LTD
 59 WINGFIELD ROAD, WINGFIELD
 SOUTH AUSTRALIA 5013
 Tel: (08) 82431633 Fax: (08) 84457938
 E-Mail: sales@hydrive.com.au
 Web Site: www.hydrive.com.au

NUMBER	DESCRIPTION	PART NUMBER	MATERIAL TYPE	QTY
1	ROD WIPER SEAL	WS-10038	NEOPRENE	2
2	O-RING PISTON ROD	N7-214	NT GRADE	3
3	ROD GLIDE GLAND	RG-6556	45.0mm BLACK ACETAL	2
4	O-RING ROD GLIDE LOCKING	N7-027	NT GRADE	2
5	O-RING ROD GLIDE	N7-218	NT GRADE	2
6	END CAP MOUNTING END	EC-6504	90.0mm BRASS GRADE 385(EO)	1
7	BLEEDER BALL	BA-10058	304 STAINLESS STEEL	2
8	BLEEDER NIPPLE	BL-6018	5/16" HEX BRASS	2
9	GRUB SCREW 5/16" S/S	FI-6019	304 STAINLESS STEEL	2
10	O-RING CYLINDER	N7-139	NT GRADE	2
11	CYLINDER 12" STROKE	CY-6522	70/30 ARSENICAL BRASS HARD	1
12	CYLINDER 15" STROKE	CY-6526	70/30 ARSENICAL BRASS HARD	1
13	END CAP FREE END	EC-6505	90.0mm BRASS GRADE 385(EO)	1
14	MOUNTING BRACKET BASE	MO-6560	BRONZE CASTING	1
15	MOUNTING BRACKET CAP	MO-6561	BRONZE CASTING	1
16	GREASE NIPPLE	GN-10128	304 STAINLESS STEEL	2
17	MOUNTING BRACKET BOLTS	SC-10275	304 STAINLESS STEEL	4
18	BACK UP RING	BW-10042	VTFE	2
19	O-RING PISTON	N7-224	NT GRADE	1
20	DOWEL PIN 5/16"x1 1/2"	DO-6549	HARDENED STEEL	2
21	PISTON	PI-6542	S1714 STEEL	1
22	PISTON ROD 12" STROKE	PR-6532	1" DIA 316 STAINLESS STLL	1
23	PISTON ROD 15" STROKE	PR-6535	1" DIA 316 STAINLESS STLL	1
24	PIVOT SHAFT NUT NYLOC	NU-10278	304 STAINLESS STEEL	2
25	PIVOT SHAFT WASHER	WA-10280	304 STAINLESS STEEL	2
26	PIVOT SHAFT	SH-6562	303 STAINLESS STEEL	1
27	PIVOT SHAFT SPACER BUSH	BU-6564	35.0mm DIA BRASS	2
28	THREADED BEARING INSERT	RE-6558	40.0mm DIA. BRASS	1
29	ROD END LOCKNUT	NU-6552	1 1/8" HEX. BRASS	1
30	ROD END BALL	BE-6520	303 STAINLESS STEEL	1
31	BEARING INSERT	RE-6557	40.0mm DIA. BRASS	1
32	ROD END	RE-6550	60.0mm DIA. BRASS	1