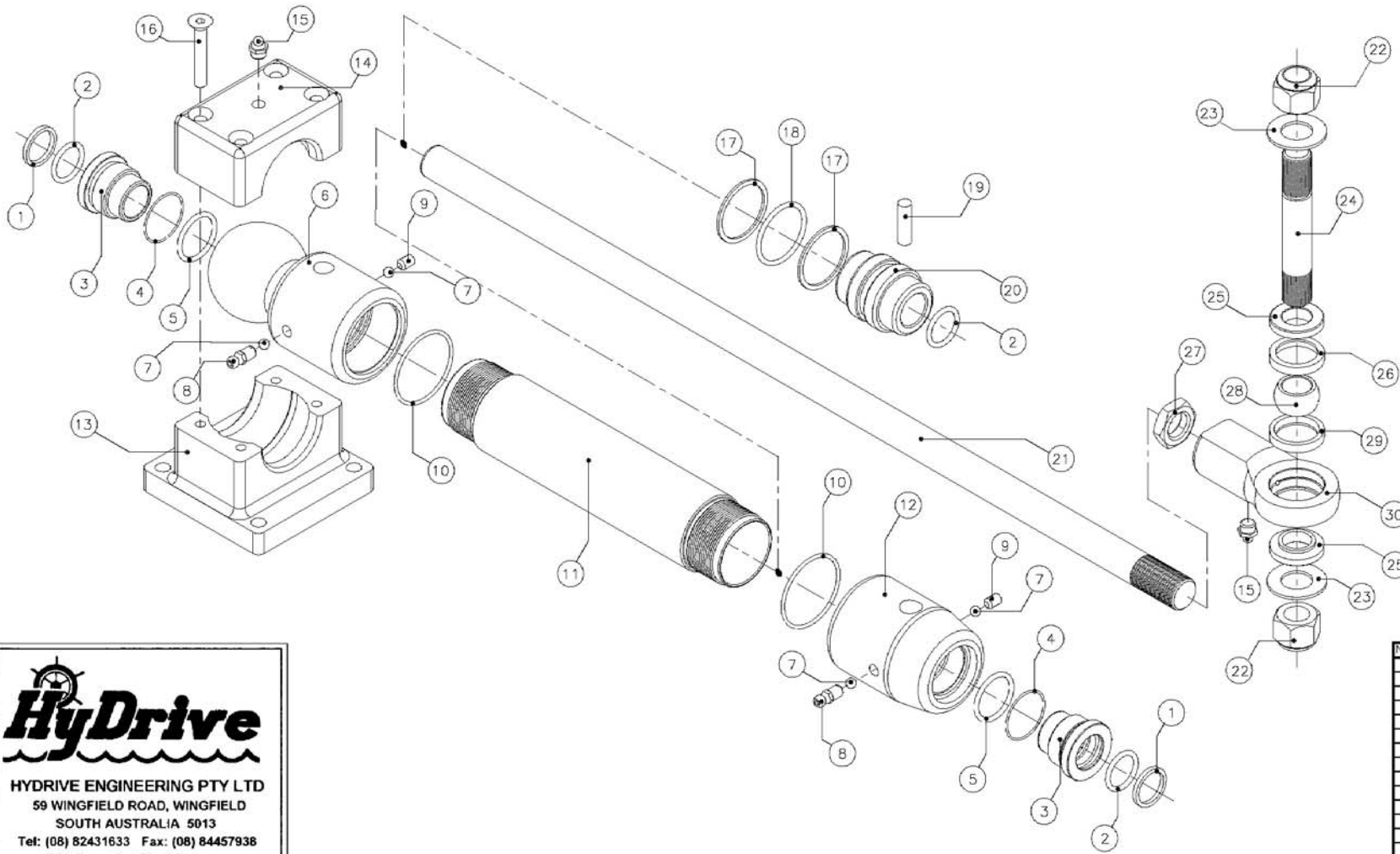


# HD175 SLAVE CYLINDER



**HyDrive**  
 HYDRIVE ENGINEERING PTY LTD  
 59 WINGFIELD ROAD, WINGFIELD  
 SOUTH AUSTRALIA 5013  
 Tel: (08) 82431633 Fax: (08) 84457938  
 E-Mail: sales@hydrive.com.au  
 Web Site: www.hydrive.com.au

NUMBER	DESCRIPTION	PART NUMBER	QTY
1	ROD WIPER SEAL	WS-10029	2
2	O-RING PISTON ROD	N7-212	3
3	ROD GUIDE GLAND	RG-8555	2
4	O-RING ROD GUIDE LOCKING	N7-026	2
5	O-RING ROD GUIDE	N7-216	2
6	END CAP MOUNTING END	EC-8500	1
7	BLEEDER BALL	BA-10058	2
8	BLEEDER NIPPLE	BL-6018	2
9	GRUB SCREW 5/16" S/S	FI-6019	2
10	O-RING CYLINDER	N7-134	2
11	CYLINDER 10" STROKE	CY-8521	1
12	CYLINDER 12" STROKE	CY-8525	1
13	MOUNTING BRACKET BASE	MO-8560	1
14	MOUNTING BRACKET CAP	MO-8561	1
15	GREASE NIPPLE	GN-10128	2
16	MOUNTING BRACKET BOLTS	SC-10275	4
17	BACK UP RING	BW-10084	2
18	O-RING PISTON	N7-222	1
19	DOWEL PIN 8mmx35mm	DO-8548	2
20	PISTON	PI-6541	1
21	PISTON ROD 10" STROKE	PR-8531	1
22	PISTON ROD 12" STROKE	PR-8533	1
23	PIVOT SHFT NUT NYLOC	NU-10278	2
24	PIVOT SHAFT WASHER	WA-10280	2
25	PIVOT SHAFT	SH-8562	1
26	PIVOT SHAFT SPACER BUSH	BU-8564	2
27	THREADED BEARING INSERT	RE-8558	1
28	ROD END LOCKNUT	NU-8552	1
29	BEARING INSERT	BE-8520	1
30	ROD END	RE-8550	1