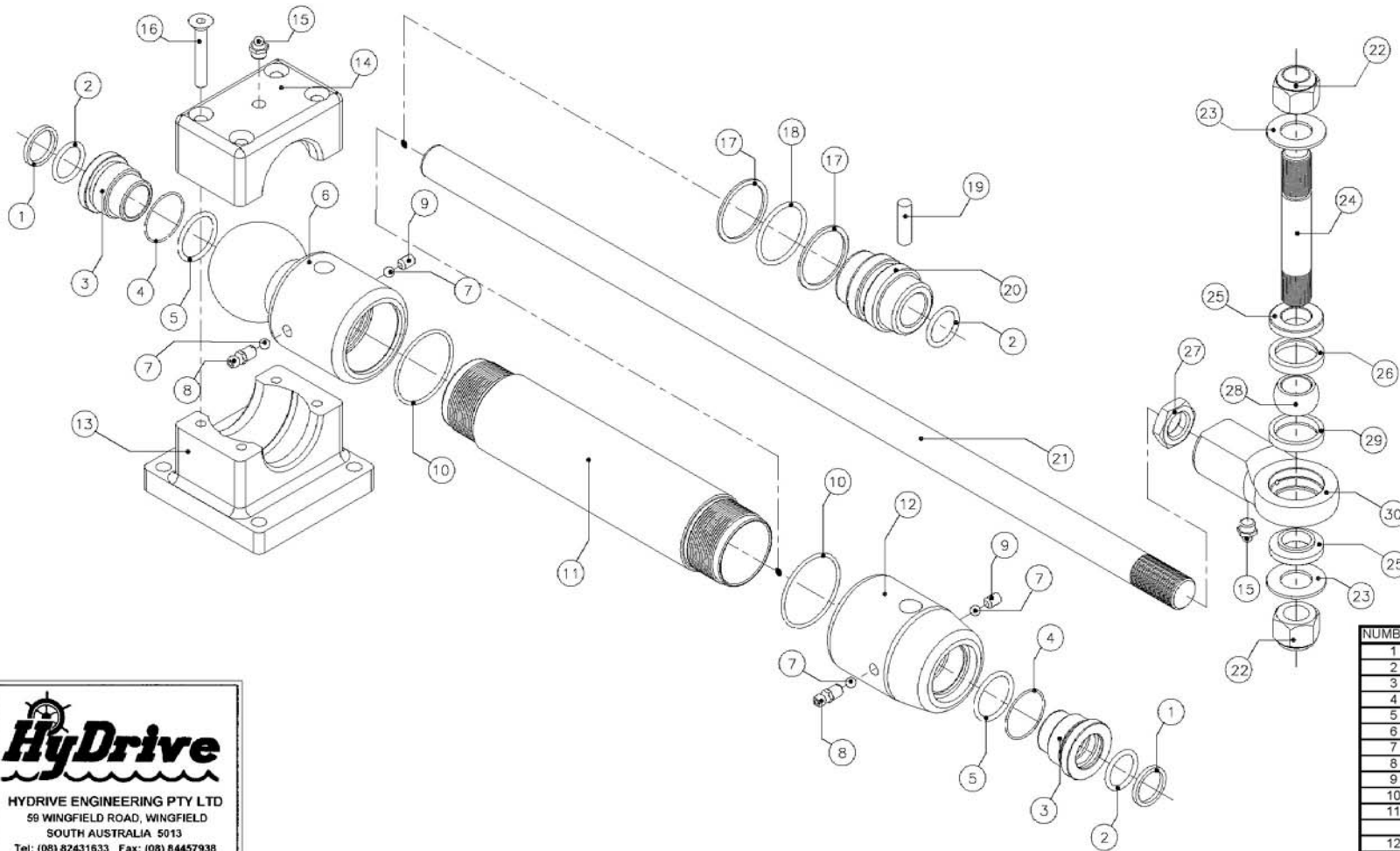


HD150 SLAVE CYLINDER



HyDrive
 HYDRIVE ENGINEERING PTY LTD
 59 WINGFIELD ROAD, WINGFIELD
 SOUTH AUSTRALIA 5013
 Tel: (08) 82431633 Fax: (08) 84457938
 E-Mail: sales@hydrive.com.au
 Web Site: www.hydrive.com.au

NUMBER	DESCRIPTION	PART NUMBER	QTY
1	ROD WIPER SEAL	WS-10029	2
2	O-RING PISTON ROD	N7-212	3
3	ROD GUIDE GLAND	RG-6555	2
4	O-RING ROD GUIDE LOCKING	N7-026	2
5	O-RING ROD GUIDE	N7-216	2
6	END CAP MOUNTING END	EC-6502	1
7	BLEEDER BALL	BA-10058	2
8	BLEEDER NIPPLE	BL-6018	2
9	GRUB SCREW 5/16" S/S	FI-6019	2
10	O-RING CYLINDER	N7-130	2
11	CYLINDER 9" STROKE	CY-6520	1
	CYLINDER 12" STROKE	CY-6523	1
12	END CAP FREE END	EC-6503	1
13	MOUNTING BRACKET BASE	MO-6560	1
14	MOUNTING BRACKET CAP	MO-6561	1
15	GREASE NIPPLE	GN-10128	2
16	MOUNTING BRACKET BOLTS	SC-10275	4
17	BACK UP RING	BW-10083	2
18	O-RING PISTON	N7-218	1
19	DOWEL PIN 6mmx35mm	DO-6548	2
20	PISTON	PI-6540	1
21	PISTON ROD 9" STROKE	PR-6530	1
	PISTON ROD 12" STROKE	PR-6533	1
22	PIVOT SHFT NUT NYLOC	NU-10278	2
23	PIVOT SHAFT WASHER	WA-10280	2
24	PIVOT SHAFT	SH-6562	1
25	PIVOT SHAFT SPACER BUSH	BU-6564	2
26	THREADED BEARING INSERT	RE-6558	1
27	ROD END LOCKNUT	NU-6552	1
28	ROD END BALL	BE-6520	1
29	BEARING INSERT	RE-6557	1
30	ROD END	RE-6550	1