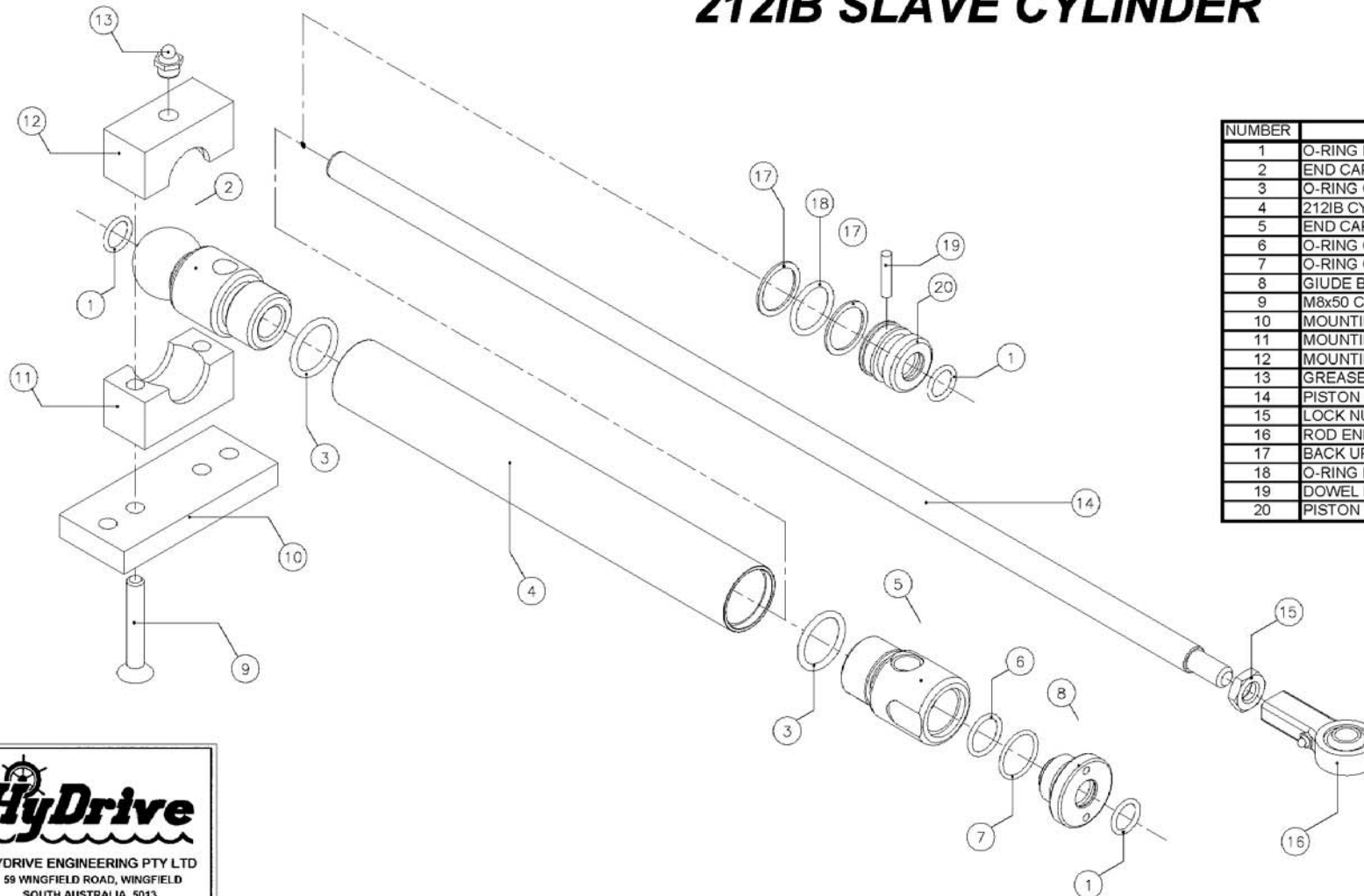


# 212IB SLAVE CYLINDER

## 212IB SLAVE CYLINDER

NUMBER	DESCRIPTION	PART NUMBER	QTY
1	O-RING PISTON ROD	N7-112	3
2	END CAP MOUNTING END	EC-6392	1
3	O-RING CYLINDER	N7-112	2
4	212IB CYLINDER	CY-6391	1
5	END CAP FREE END	EC-6393	1
6	O-RING GUIDE BUSH	N7-114	1
7	O-RING G/BUSH RETAINER	N7-116	1
8	GUIDE BUSH	BU-6394	1
9	M8x50 C/S BOLT	SC-10129	2
10	MOUNTING PLATE	MO-6399	1
11	MOUNTING BRACKET BASE	MO-6398	1
12	MOUNTING BRACKET CAP	MO-6397	1
13	GREASE NIPPLE	GN-10128	1
14	PISTON ROD	PR-6395	1
15	LOCK NUT M10	NU-10127	1
16	ROD END	RE-10126	1
17	BACK UP WASHER	BW-10085	2
18	O-RING PISTON	M20x3	1
19	DOWEL PIN 3/16"x7/8"	DO-10184	1
20	PISTON	PI-6396	1



**HYDRIVE ENGINEERING PTY LTD**  
 59 WINGFIELD ROAD, WINGFIELD  
 SOUTH AUSTRALIA 5013  
 Tel: (08) 82431633 Fax: (08) 84457936  
 E-Mail: sales@hydrive.com.au  
 Web Site: www.hydrive.com.au