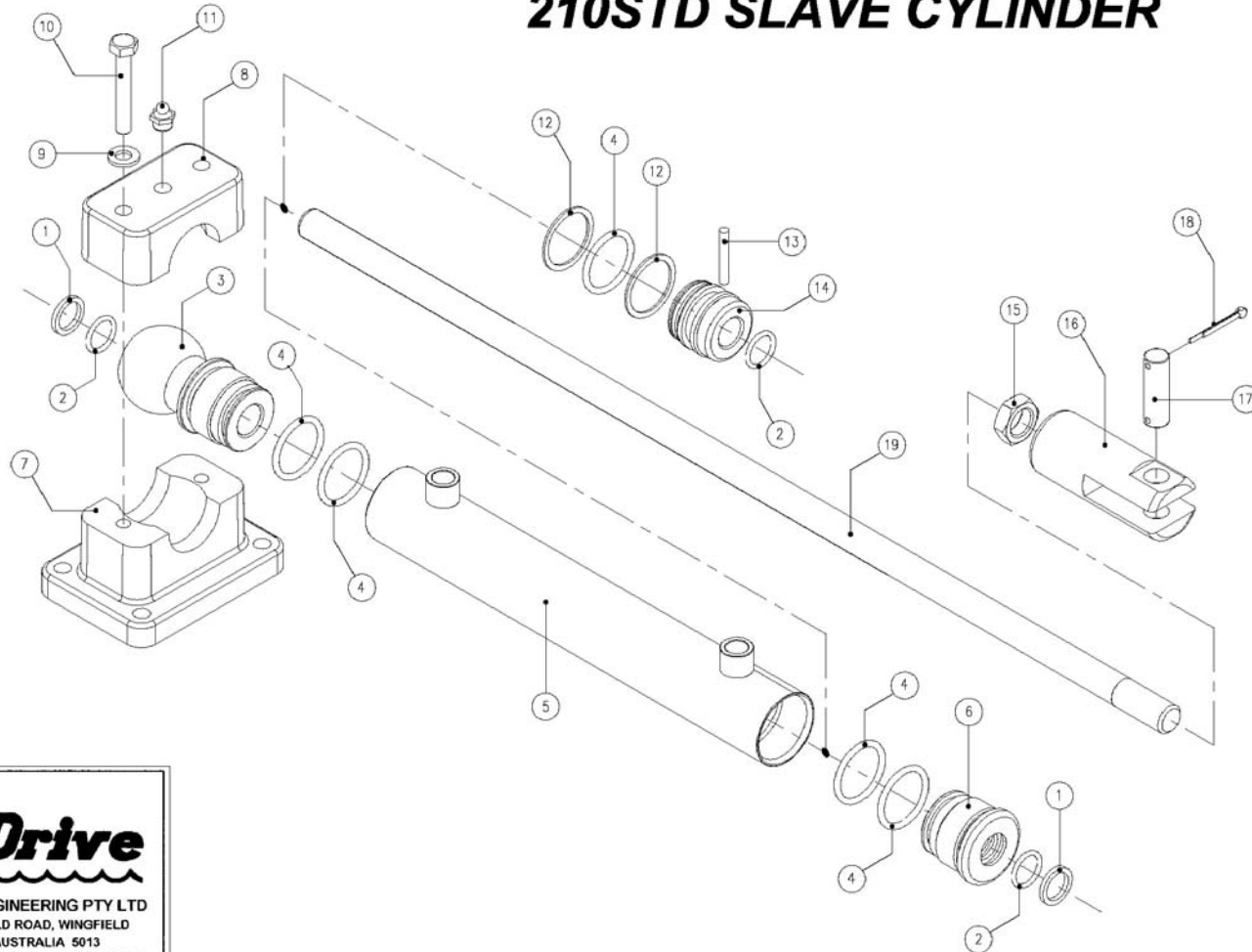


## 210STD SLAVE CYLINDER



### 210STD SLAVE CYLINDER

NUMBER	DESCRIPTION	PART NUMBER	QTY
1	PROD WIPER SEAL	WS-10252	2
2	O-RING PISTON ROD	N7-114	3
3	END CAP MOUNTING END	EC-6347	1
4	O-RING CYLINDER	N7-114	5
5	CYLINDER	CY-6343A	1
6	END CAP FREE END	EC-6345	1
7	MOUNTING BRACKET BASE	MO-6250	1
8	MOUNTING BRACKET CAP	MO-6249	1
9	5/16" NYLON WASHER	WA-10179	2
10	5/16"UNCx2" BOLT	SC-10178	2
11	GREASE NIPPLE	GN-10128	1
12	BACK UP WASHER	BW-10100	2
13	DOWEL PIN 3/16"x1 1/4"	DO-10166	2
14	PISTON	PI-6358	1
15	LOCK NUT 5/8"UNF	NU-6108	1
16	CLEVIS	CL-6025	1
17	CLEVIS PIN	CL-6034	1
18	SPLIT PIN	RP-10008	2
19	PISTON ROD	PR-6223	1

**HyDrive**

HYDRIVE ENGINEERING PTY LTD  
 59 WINGFIELD ROAD, WINGFIELD  
 SOUTH AUSTRALIA 5013  
 Tel: (08) 82431633 Fax: (08) 84457936  
 E-Mail: sales@hydrive.com.au  
 Web Site: www.hydrive.com.au