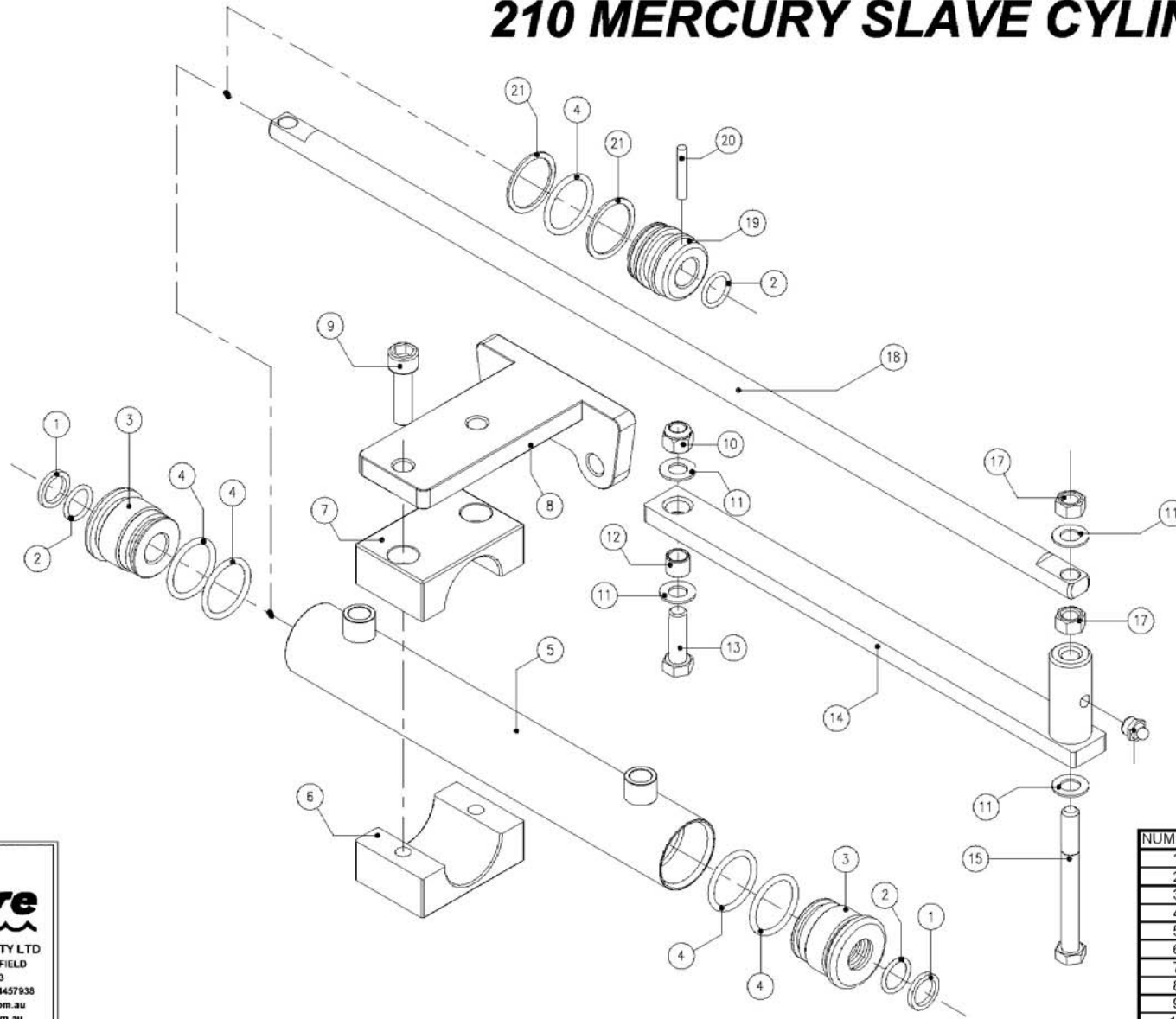


# 210 MERCURY SLAVE CYLINDER



## 210DE SLAVE CYLINDER

NUMBER	DESCRIPTION	PART NUMBER	QTY
1	ROD WIPER SEAL	WS-10252	2
2	O-RING PISTON ROD	N7-114	3
3	END CAP MOUNTING END	EC-6345	2
4	O-RING CYLINDER	N7-216	5
5	CYLINDER	CY-6343	1
6	MOUNTING BRACKET BASE	MO-6354B	2
7	MOUNTING BRACKET CAP	MO-6354C	2
8	5/16" NYLON WASHER	WA-10179	4
9	5/16"UNCx2" BOLT	SC-10178	4
10	PLASTIC PLUG	PP-10224	2
11	PISTON ROD	PR-6355	1
12	BACK UP WASHER	BW-10100	2
13	DOWEL PIN 3/16"x1 1/4"	DO-10166	2
14	PISTON	PI-6358	1