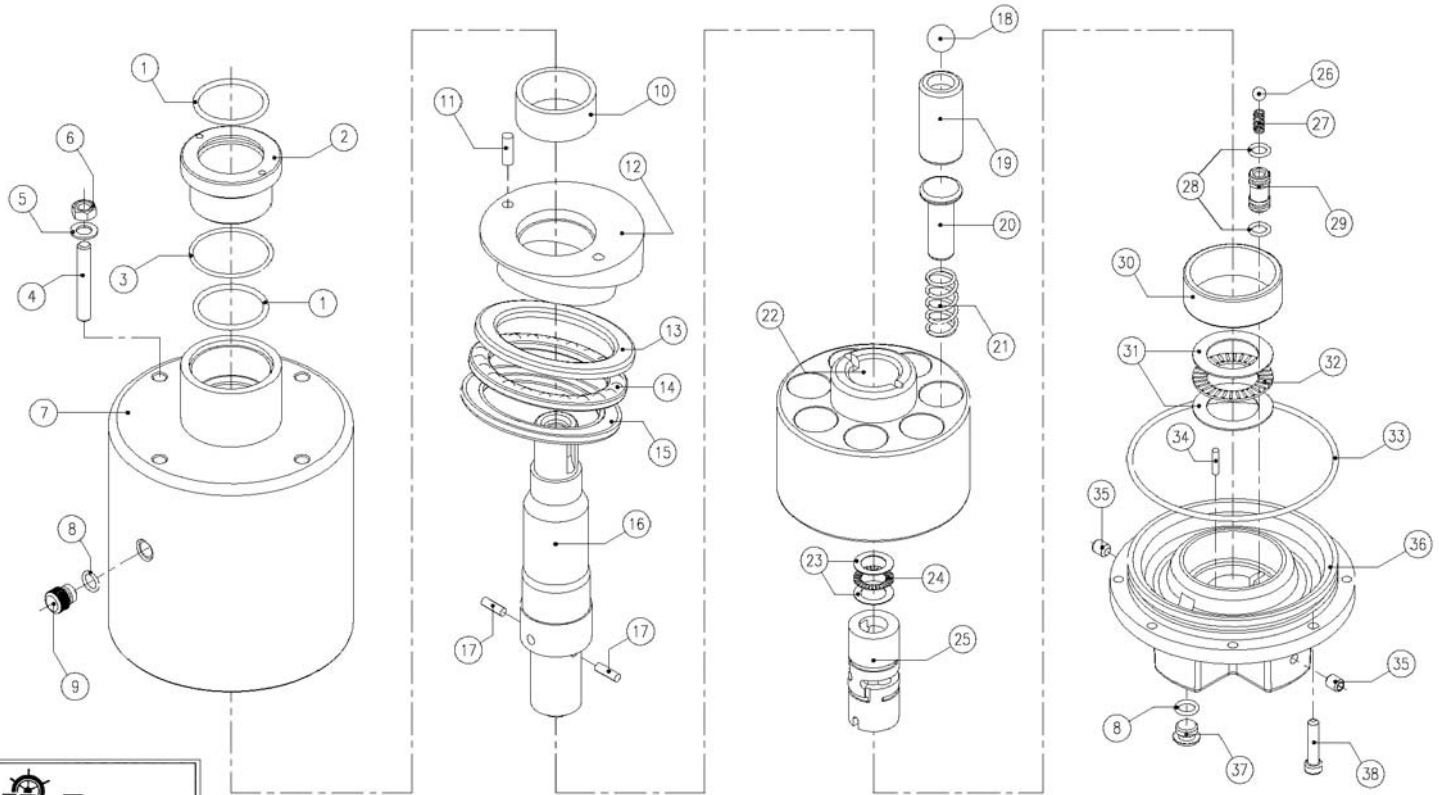


106 & 107 HELM PUMP



106 & 107 HELM PUMP

NUMBER	DESCRIPTION	PART NUMBER	QTY
1	O-RING SHAFT	N7-222	2
2	GLAND NUT	GL-6488	1
3	O-RING GLAND COPRESSION	N7-132	1
4	MOUNTING STUD 5/16"UNC	ST-8008	4
5	5/16"x5/8"x18g WASHER	WA-10034	4
6	5/16"UNC NUT	NU-10023	4
7	BODY	HB-6461	1
8	O-RING PLUG	N7-015	4
9	FILLER CAP VENTED	FC-6285	1
	FILLER CAP WITH TAIL	BL-6284	1
10	BEARING INPUT SHAFT	BE-6491	1
11	DOWEL PIN 1/4"x3/4"	DO-10046	2
12	RAMP 106 HELM	RA-6469	1
	RAMP 107 HELM	RA-6470	1
13	BEARING THRUST BASE	BE-6459a	1
14	BEARING BALL RACE	BE-6459b	1
15	BEARING THRUST PLATE	BE-6459c	1
16	INPUT SHAFT PARALLEL	SH-6476	1
17	DOWEL PIN M5x16	DO-10051	2
18	PISTON BALL 5/8"	BA-10064	7
19	PISTON	PI-6479	7
20	SPRING GUIDE	SG-6484	7
21	PISTON SPRING	SP-6482	7
22	CYLINDER BLOCK	CY-6473	1
23	INPUT SHAFT THRUST RINGS	BE-6495	2
24	INPUT SHAFT THRUST BEARING	BE-6494	1
25	OIL DISTRIBUTOR SHAFT	SH-6487	1
26	PICK UP VALVE BALL 5/16"	BA-10203	2
27	PICK UP VALVE SPRING	SP-6480	2
28	O-RING TRANSFER TUBE	OR12x2	4
29	TRANSFER TUBE	OT-6477	2
30	BEARING ENDPLATE	BE-6490	1
31	ENDPLATE THRUST RINGS	BE-6499	2
32	ENDPLATE THRUST BEARING	BE-6498	1
33	O-RING ENDPLATE	N7-255	1
34	DISTRIBUTOR SHAFT LOCATION PIN	DO-10052	3
35	GRUB SCREW ENDPLATE M10x1.5px10	SC-10063	2
36	ENDPLATE	EP-6464	1
37	PLUG BALANCE LINE	PL-6297	2
38	SCREWS M6x30	WA-10223	8



HYDRIVE ENGINEERING PTY LTD
 59 WINGFIELD ROAD, WINGFIELD
 SOUTH AUSTRALIA 5013
 Tel: (08) 82431633 Fax: (08) 84457938
 E-Mail: sales@hydrive.com.au
 Web Site: www.hydrive.com.au