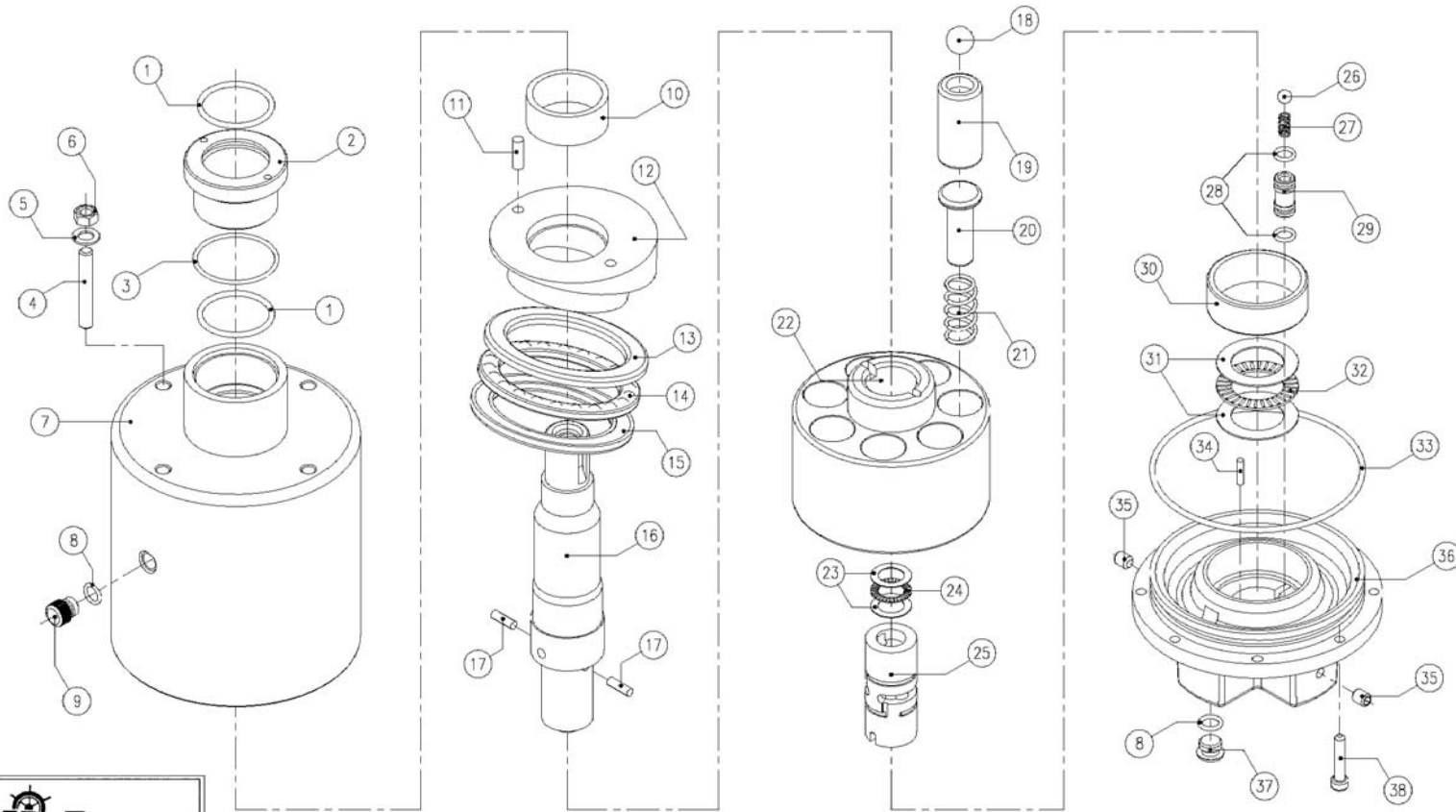


103,104 & 105 HELM PUMP



103,104 & 105 HELM PUMP

NUMBER	DESCRIPTION	PART NUMBER	QTY
1	O-RING SHAFT	N7-222	2
2	GLAND NUT	GL-6488	1
3	O-RING GLAND COPRESSION	N7-132	1
4	MOUNTING STUD 5/16"UNC	ST-8008	4
5	5/16"x5/8"x18g WASHER	WA-10034	4
6	5/16"UNC NUT	NU-10023	4
7	BODY	HB-6460	1
8	O-RING PLUG	N7-015	4
9	FILLER CAP VENTED	FC-6285	1
10	FILLER CAP WITH TAIL	BL-6284	1
11	BEARING INPUT SHAFT	BE-8491	1
12	DOWEL PIN 1/4"x3/4"	DO-10048	2
13	RAMP 103 HELM	RA-8466	1
14	RAMP 104 HELM	RA-8467	1
15	RAMP 105 HELM	RA-8468	1
16	BEARING THRUST BASE	BE-6458a	1
17	BEARING BALL RACE	BE-6458b	1
18	BEARING THRUST PLATE	BE-6458c	1
19	INPUT SHAFT PARALLEL	SH-6475	1
20	INPUT SHAFT TAPERED	SH-6474	1
21	DOWEL PIN M5x16	DO-10051	2
22	PISTON BALL 5/8"	BA-10064	7
23	PISTON	PI-6478	7
24	SPRING GUIDE	SG-6483	7
25	SPRING	SP-6481	7
26	CYLINDER BLOCK	CY-6472	1
27	INPUT SHFT THRUST RINGS	BE-6493	2
28	INPUT SHAFT THRUST BEARING	BE-6492	1
29	OIL DISTRIBUTOR SHAFT	SH-6486	1
30	PICK UP VALVE BALL 5/16"	BA-10203	2
31	PICK UP VALVE SPRING	SP-6480	2
32	O-RING TRANSFER TUBE	OR8x2	4
33	TRANSFER TUBE	OT-6485	2
34	BEARING ENDPLATE	BE-6489	1
35	ENDPLATE THRUST RINGS	BE-6497	2
36	ENDPLATE THRUST BEARING	BE-6496	1
37	O-RING ENDPLATE	N7-246	1
38	DISTRIBUTOR SHAFT LOCATION PIN	DO-10052	3
39	GRUB SCREW ENDPLATE M10x1.5px10	SC-10063	2
40	ENDPLATE	EP-6463	1
41	PLUG BALANCE LINE	PL-6297	2
42	SCREWS M6x30	WA-10223	8

HyDrive
 HYDRIVE ENGINEERING PTY LTD
 59 WINGFIELD ROAD, WINGFIELD
 SOUTH AUSTRALIA 5013
 Tel: (08) 82431633 Fax: (08) 84457938
 E-Mail: sales@hydrive.com.au
 Web Site: www.hydrive.com.au