

# OTHER ACCESSORIES

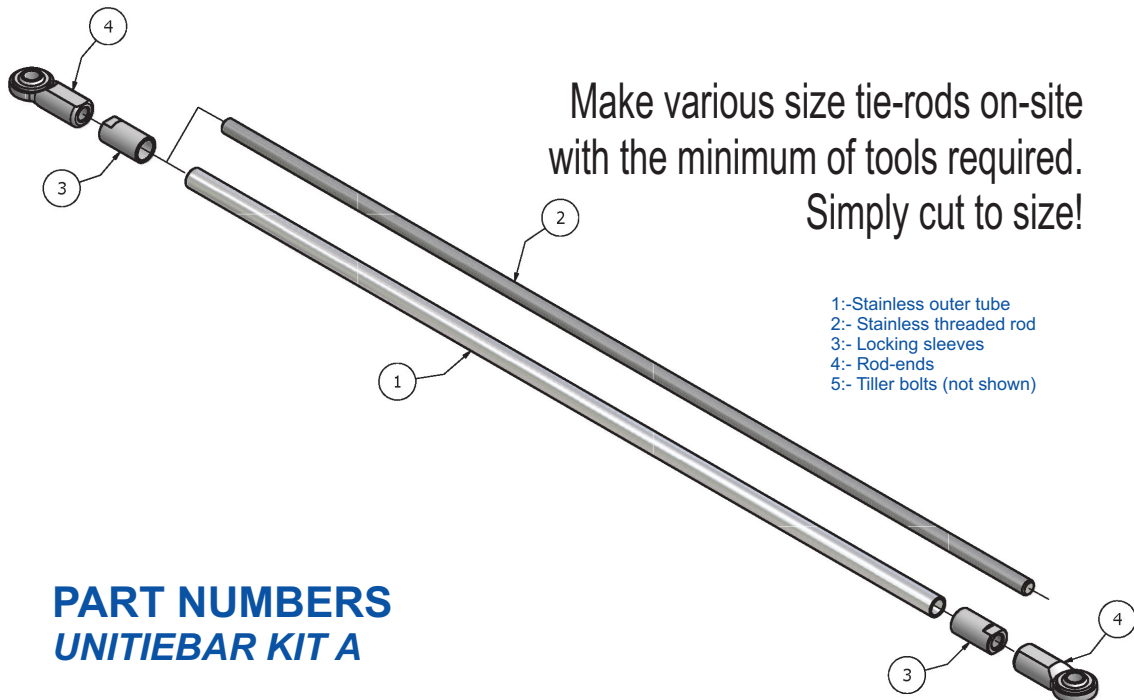
## UNIVERSAL TIE-BAR KIT

Now available for tie-bars up to maximum of 700mm between centres and up to twin 175HP outboards. For larger HP outboards - see details on HD tie-bar kits.

The kit comes as 2 parts.

1) UNITIEBAR KIT A - includes all the hardware including rod-ends, locking sleeves, tiller bolts & nuts, spacers and loctite required to make a complete tie-rod when assembled to kit-B.

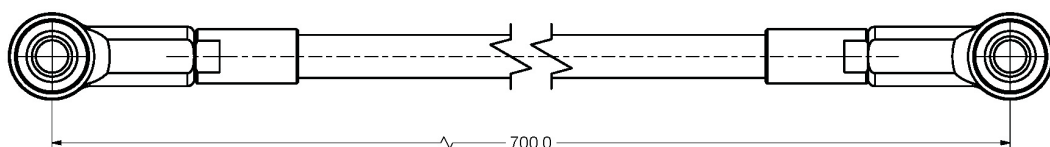
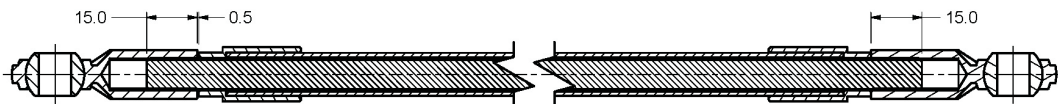
2) UNITIEBAR KIT B - includes the inner stainless steel threaded rod and the outer stainless steel tube precut to suit 700mm centres..



### PART NUMBERS UNITIEBAR KIT A

### UNITIEBAR KIT B

\*\*\* Normal spare parts discount applies



**Simple to make and adjust - on site!**