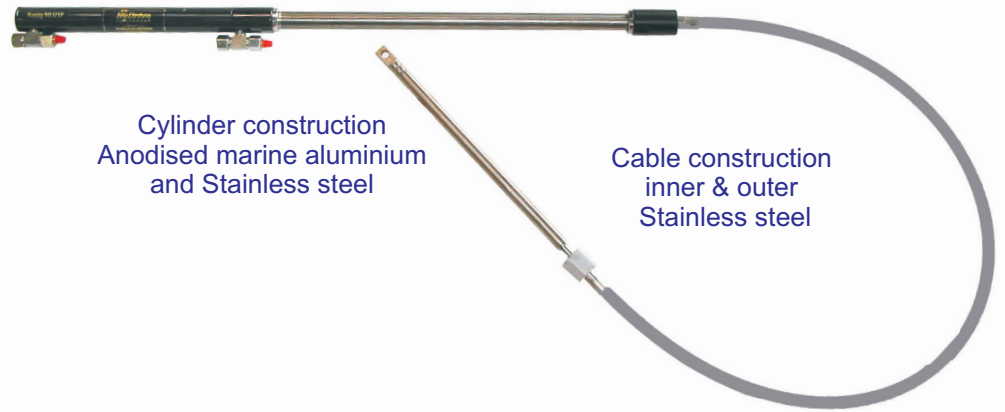


HYDRAULIC STEERING FOR OUTBOARDS & STERNDRIVES



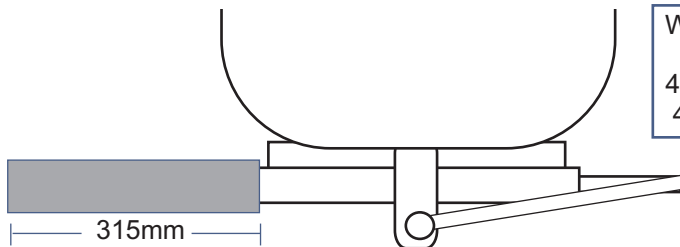
Cylinder construction
Anodised marine aluminium
and Stainless steel



Cable construction
inner & outer
Stainless steel

HYDRAKIT-1

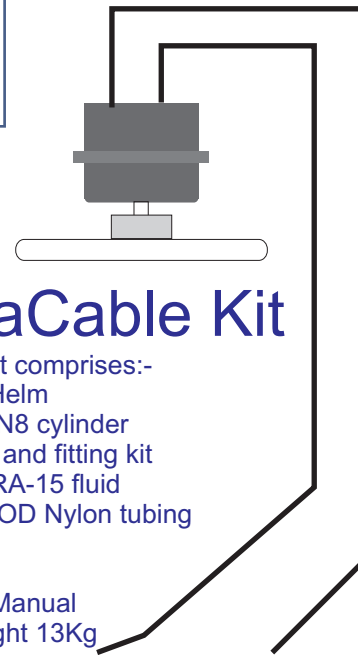
For Outboards up to single 200HP or dual outboards
Counter-rotating up to 300HP total



Model 212T Cylinder dimensions

Capacity:- 77cc
Stroke:- 203mm
Weight:- 2Kg

WHEEL TURNS
lock to lock
401 helm = 2.75
402 helm = 2.2



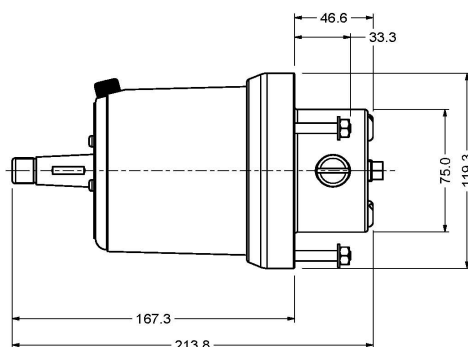
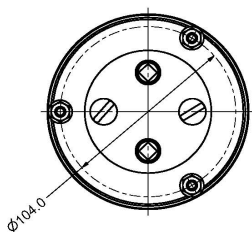
HydraCable Kit

Complete Kit comprises:-
Model 401 Helm
Model 212TN8 cylinder
HydraCable and fitting kit
2 litres ULTRA-15 fluid
15Mtrs 3/8" OD Nylon tubing
Bleeding Kit
All fittings
Installation Manual
Pack weight 13Kg

HYDRAKIT-1 Cable length - 1 metre
HYDRAKIT-1.5 Cable length - 1.5 metres

SIMPLE INSTALLATION TO ANY OUTBOARD**
See steering circuits for multiple outboards.

***Unit designed to be used with standard outboard motor drag-link supplied with the engine. Not included in the kit as each outboard manufacturer and model has different drag-link design..*



Model 401 and 402 Helm pump dimensions

Model 401 Capacity:-28cc/rev
Model 402 Capacity:-35cc/rev
In-built Lock valve
Maximum working pressure:- 1000psi
Absolute maximum pressure:- 1500psi
Weight:- 5Kg

See also optional helm choices for front-mount and tilting helms for this kit

HyDrive
HYDRAULIC STEERING